

ASSEMBLY INSTRUCTION

MODEL: HV C

PLEASE FOLLOW INSTRUCTION LISTED BELOW IN THE PROPER SEQUENCE AS NUMBERED TO ASSURE FAST, EASY AND CORRECT ASSEMBLY

HARDWARE LIST

NO DESCRIPTION QTY

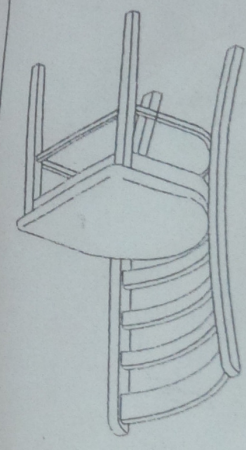
A	M6 X 30mm ICB SCREW	6 PCS
B	SPRING WASHER	6 PCS
C	FLAT WASHER	4 PCS
D	M4 X 30mm ICB SCREW	3 PCS
E	M4 X 32mm ICB SCREW	4 PCS
F	M4 ALLEN KEY	1 PC
G	WOOD DOVEL	4 PCS

PART LIST

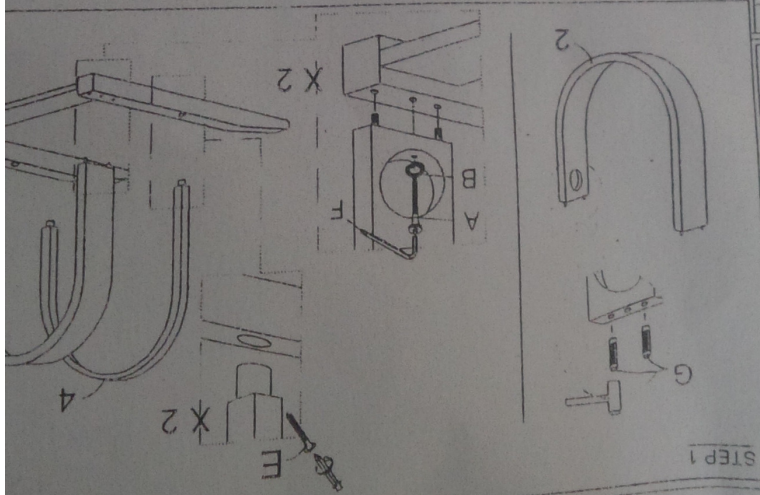
NO DESCRIPTION QTY

1	BACK REST	1 PC
2	SEAT FRAME	1 PC
3	FRONT LEG	1 PC
4	U-STRETCHER	1 PC
5	CUSHION SEAT	1 PC

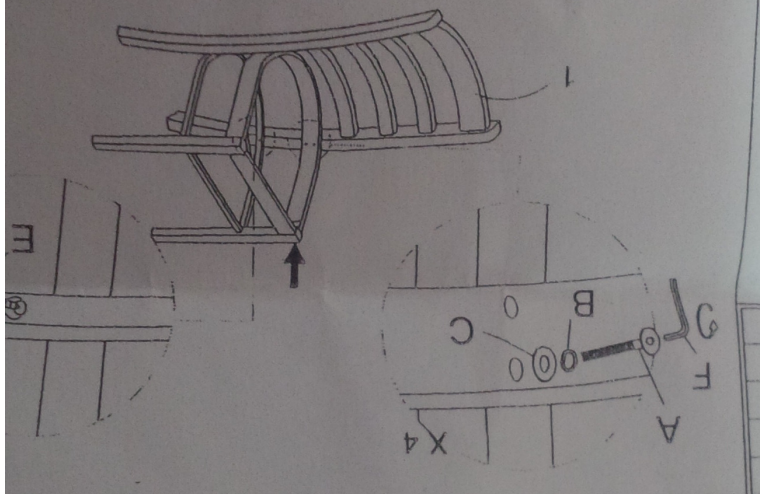
FULLY SET-UP



STEP 1



STEP 2



STEP 3

