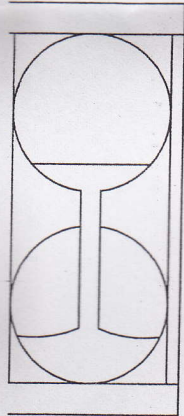
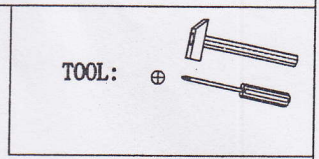
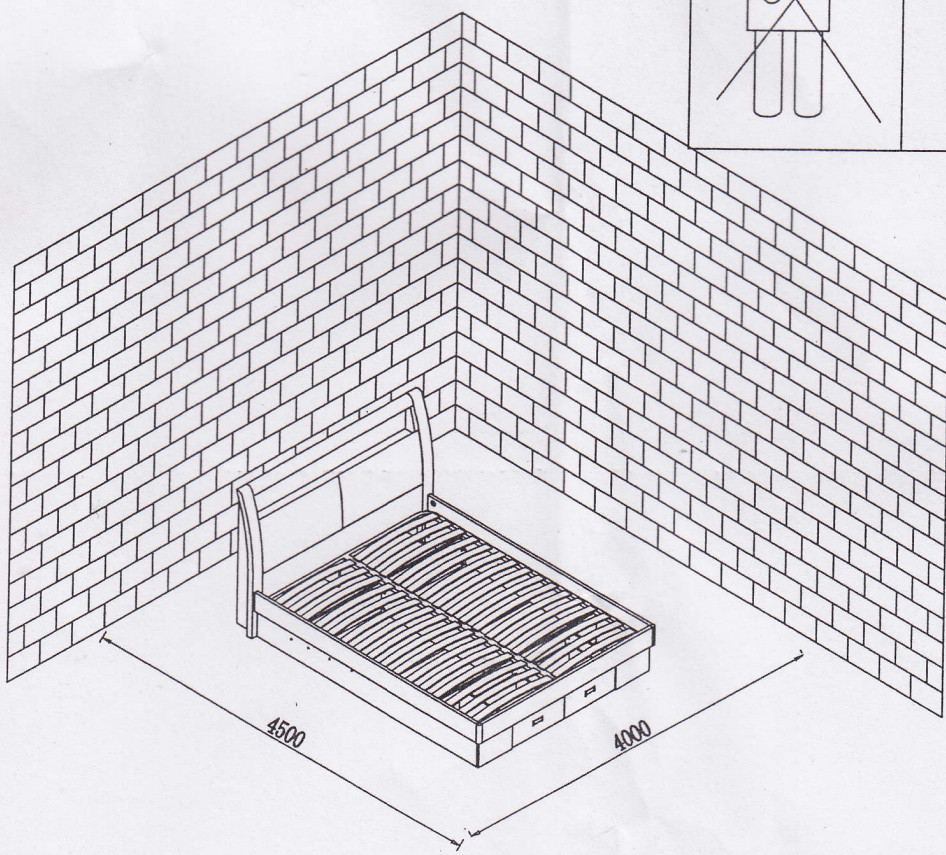
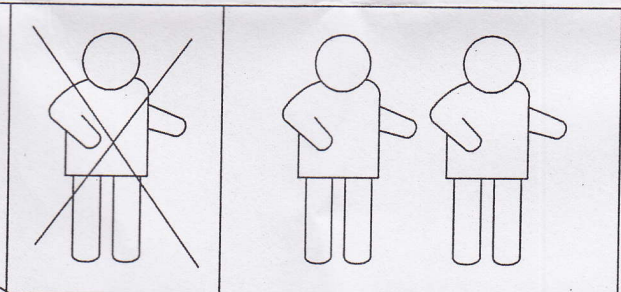


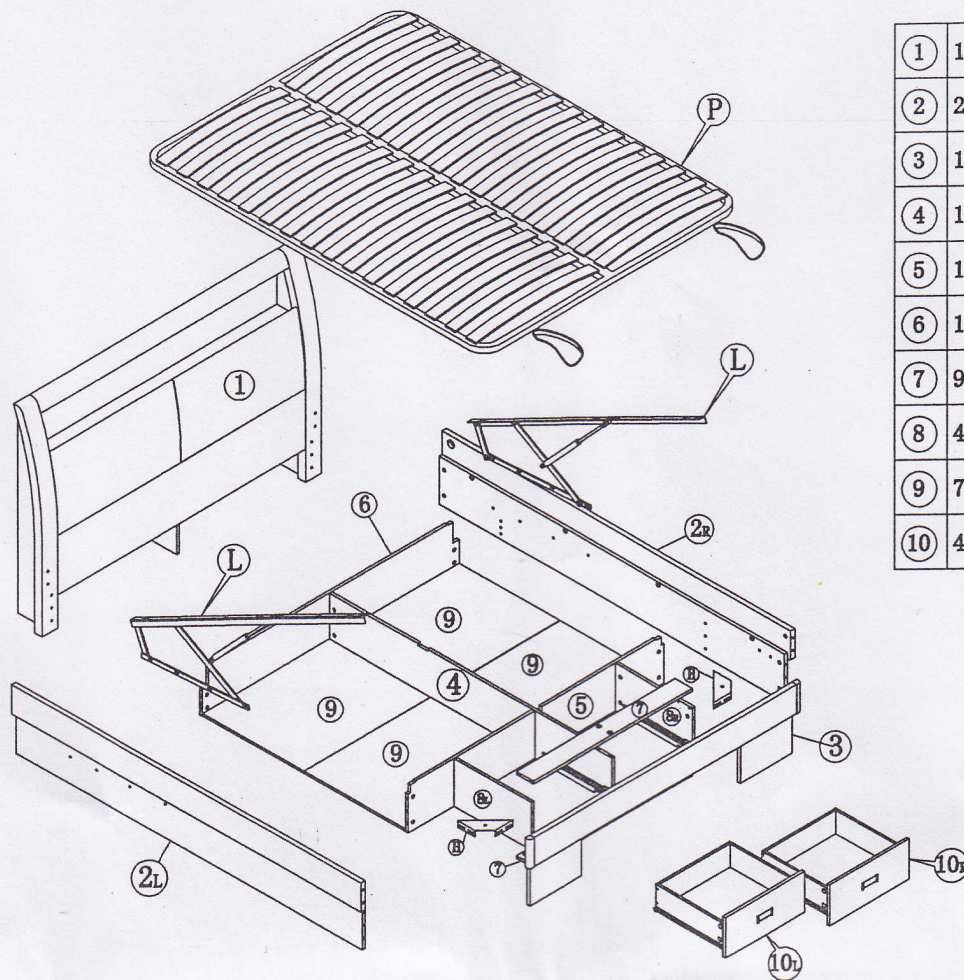
9606A (1530*2030)



0min.




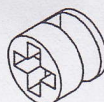

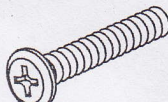





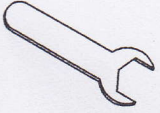
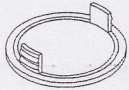
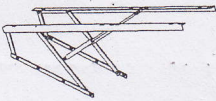
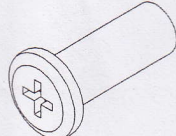
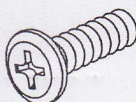
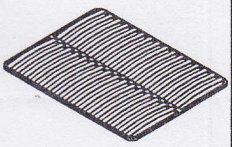
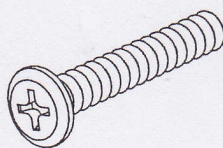

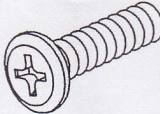
tb




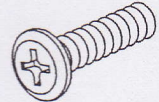
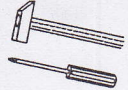
①	1622*1090*195=1
②	2030*356*43=1R/1L
③	1584*356*43=1
④	1645*240*15=1
⑤	1494*240*15=1
⑥	1494*240*15=1
⑦	928*100*15=2
⑧	450*240*15=1R/1L
⑨	735*587*12=4
⑩	460*415*202=1R/1L

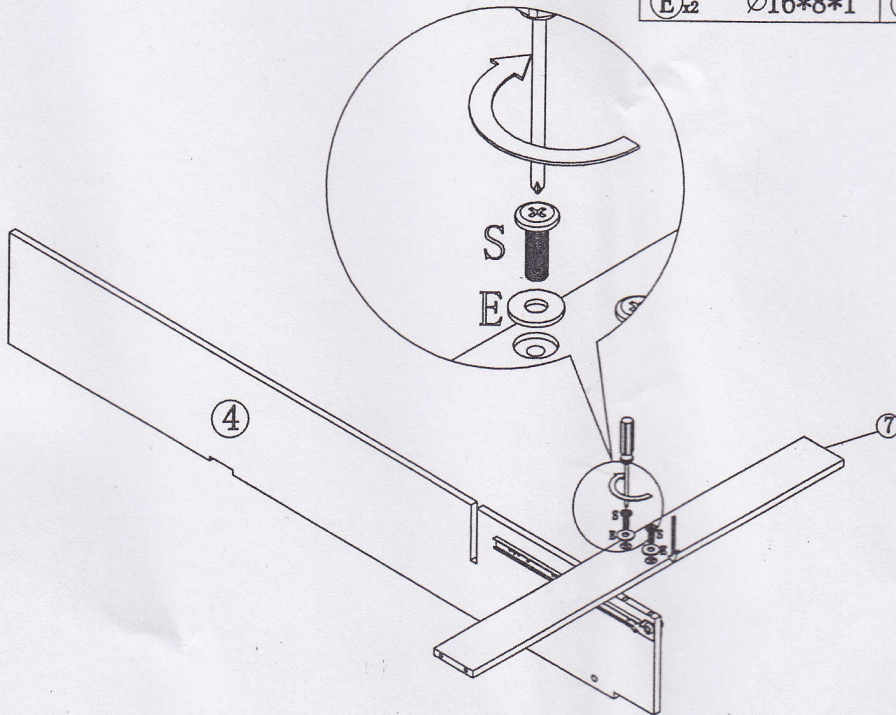
mm

10
20
30
40
50
60
70
80
90
100
110
120




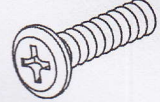
 A _{x36} L=6*32	 B _{x36} E=∅15	 C _{x17} ∅8*30	 D _{x2} ∅8*100	 E _{x20} ∅8*16*1
 F _{x8} M8	 G _{x2}	 H _{x2}	 I _{x8} ∅6*15	 J _{x1}
 K _{x2} ∅38	 L _{x1} 60KG	 M _{x8} M6	 N _{x8} ∅6*20	 P _{x1} 2000*1470*30
 Q _{x6} ∅8*45	 R _{x1}	 S _{x4} ∅6*30		

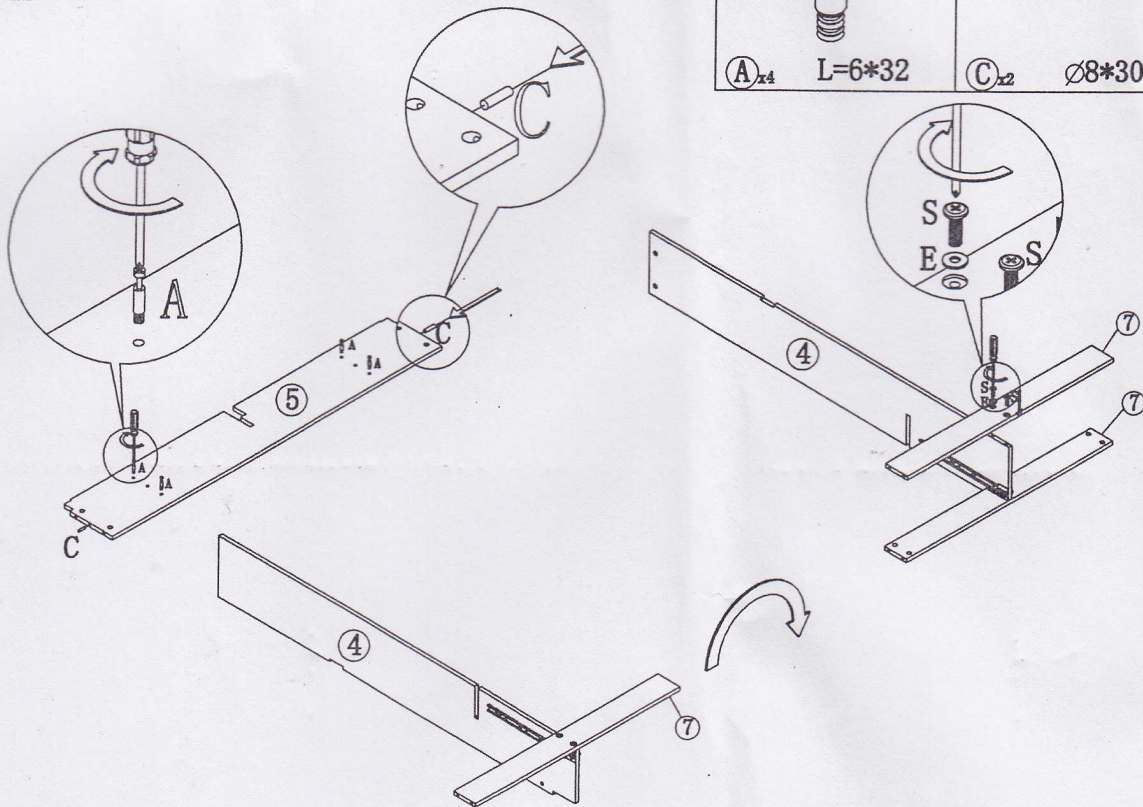
1 ▶

		
E _{x2} $\varnothing 16*8*1$	S _{x2} $\varnothing 6*30$	

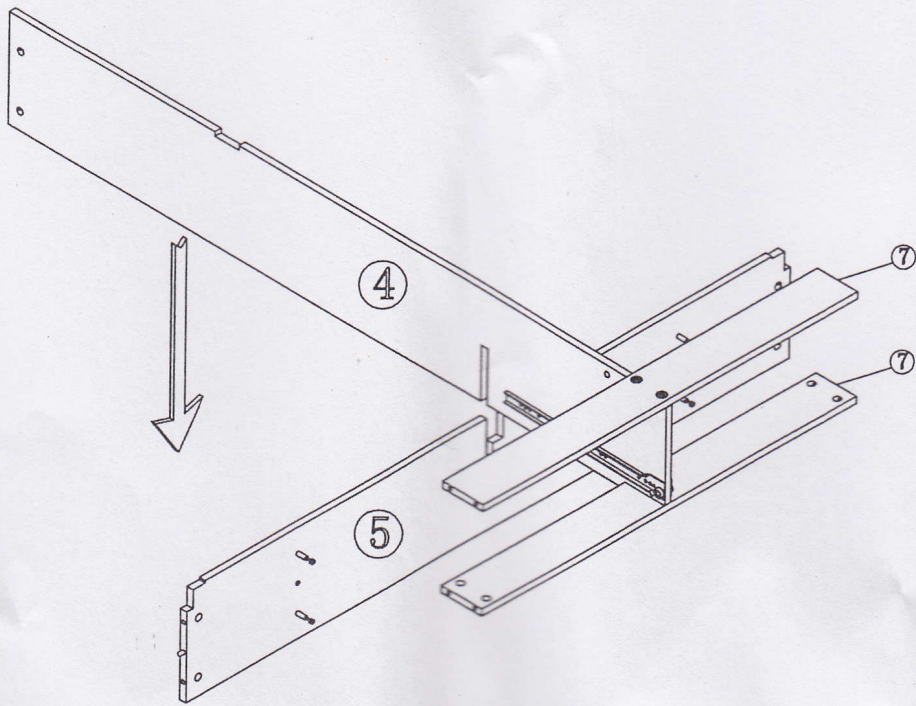


2 ▶

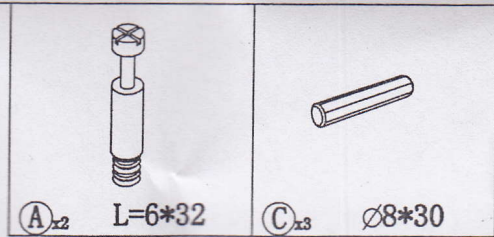
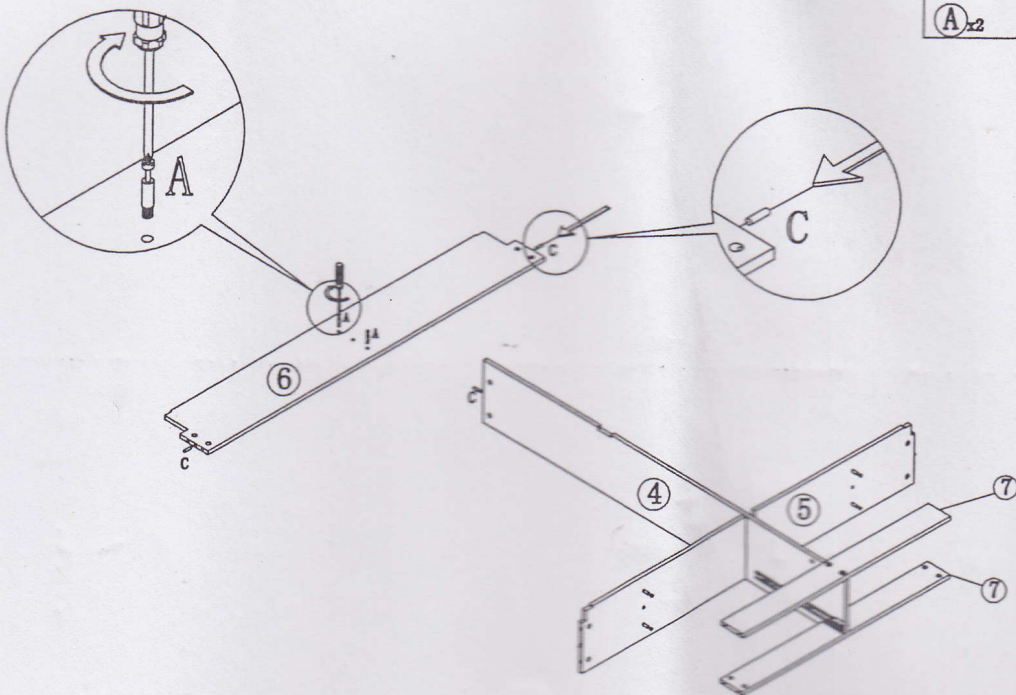
		
A _{x4} L-6*32	C _{x2} $\varnothing 8*30$	E _{x2} $\varnothing 16*8*1$
		
		S _{x2} $\varnothing 6*30$



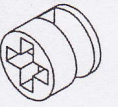
3 ▷



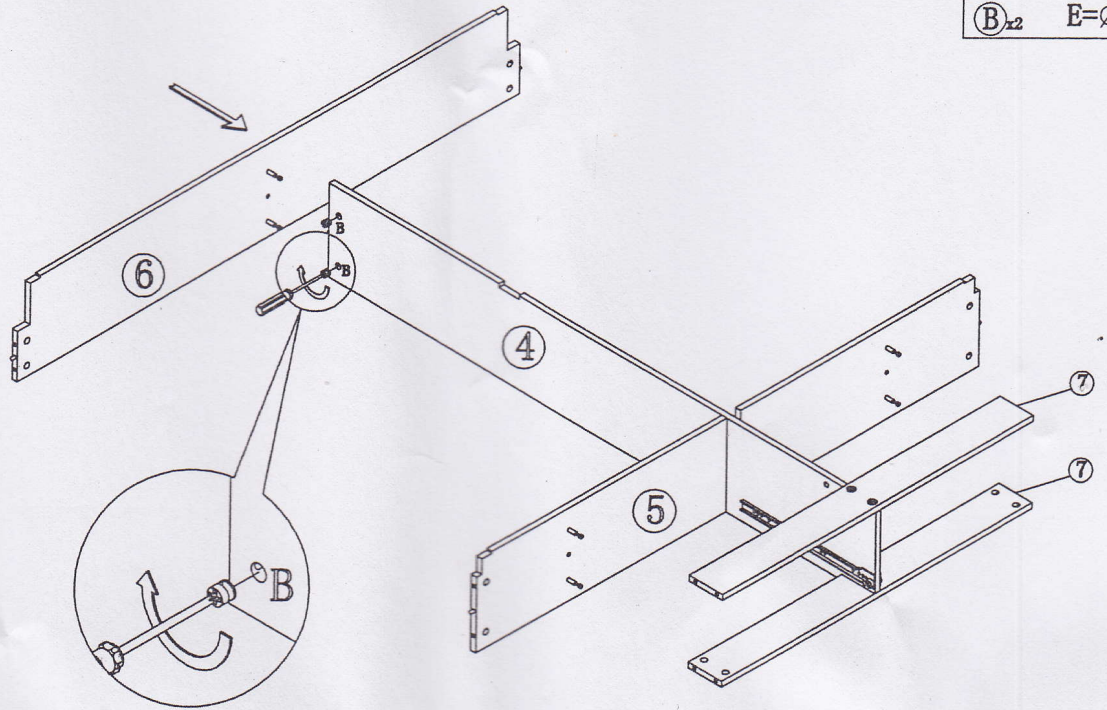
4 ▷



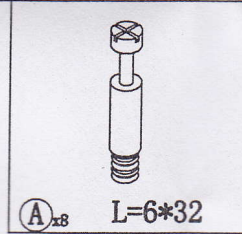
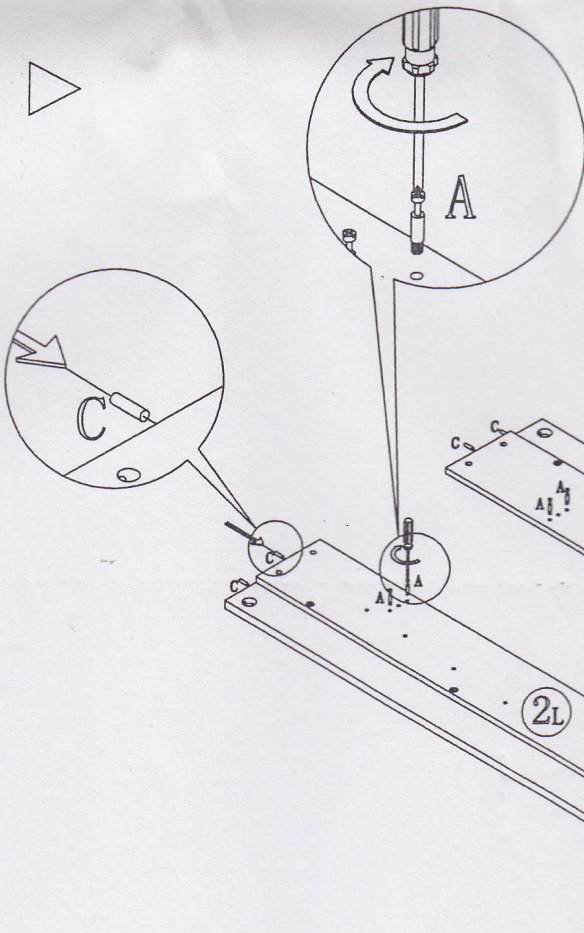
5 ▸



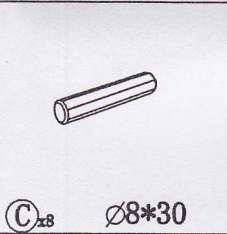
(B)_{x2} E=Ø15




6 ▸

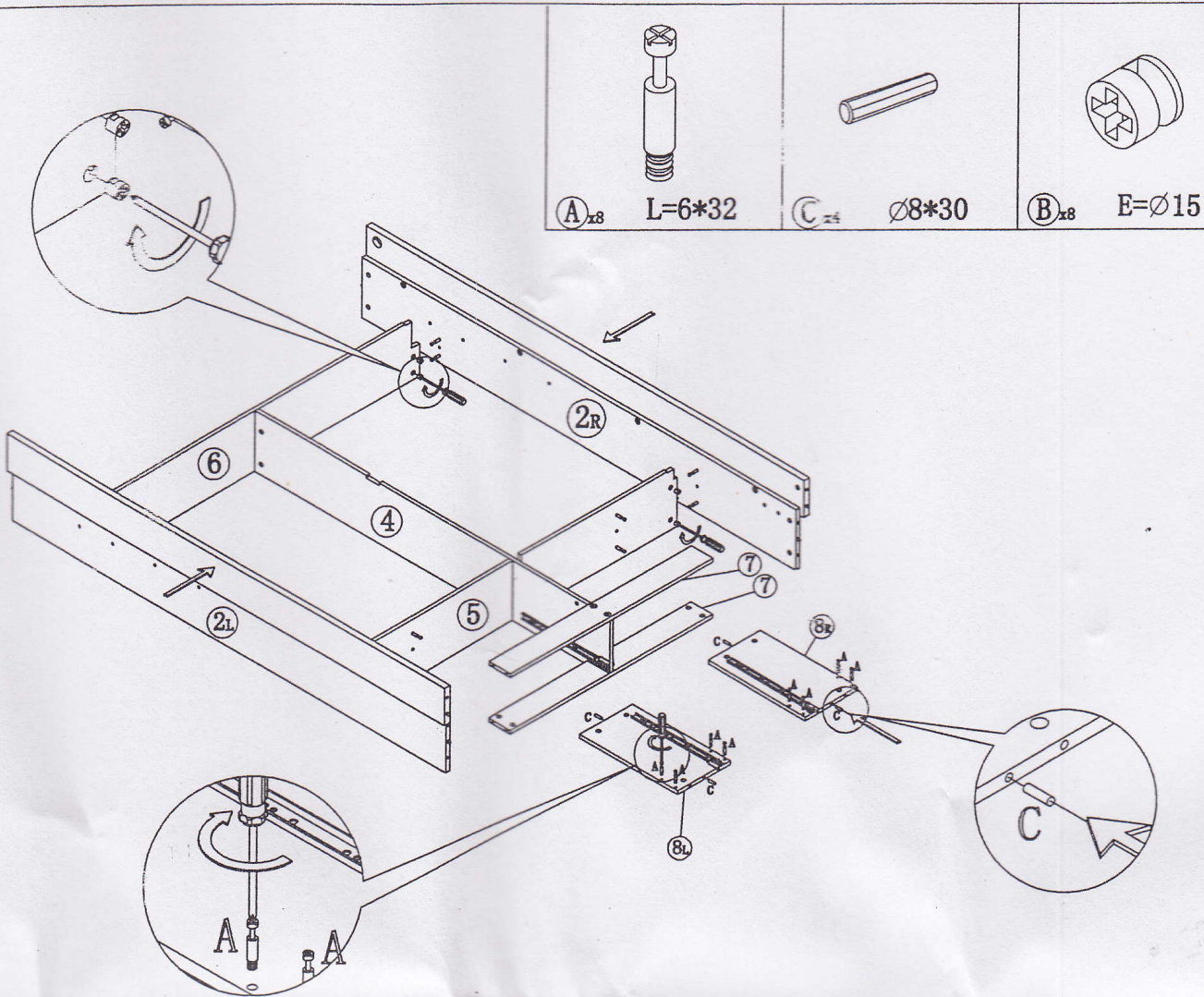



(A)_{x8} L=6*32

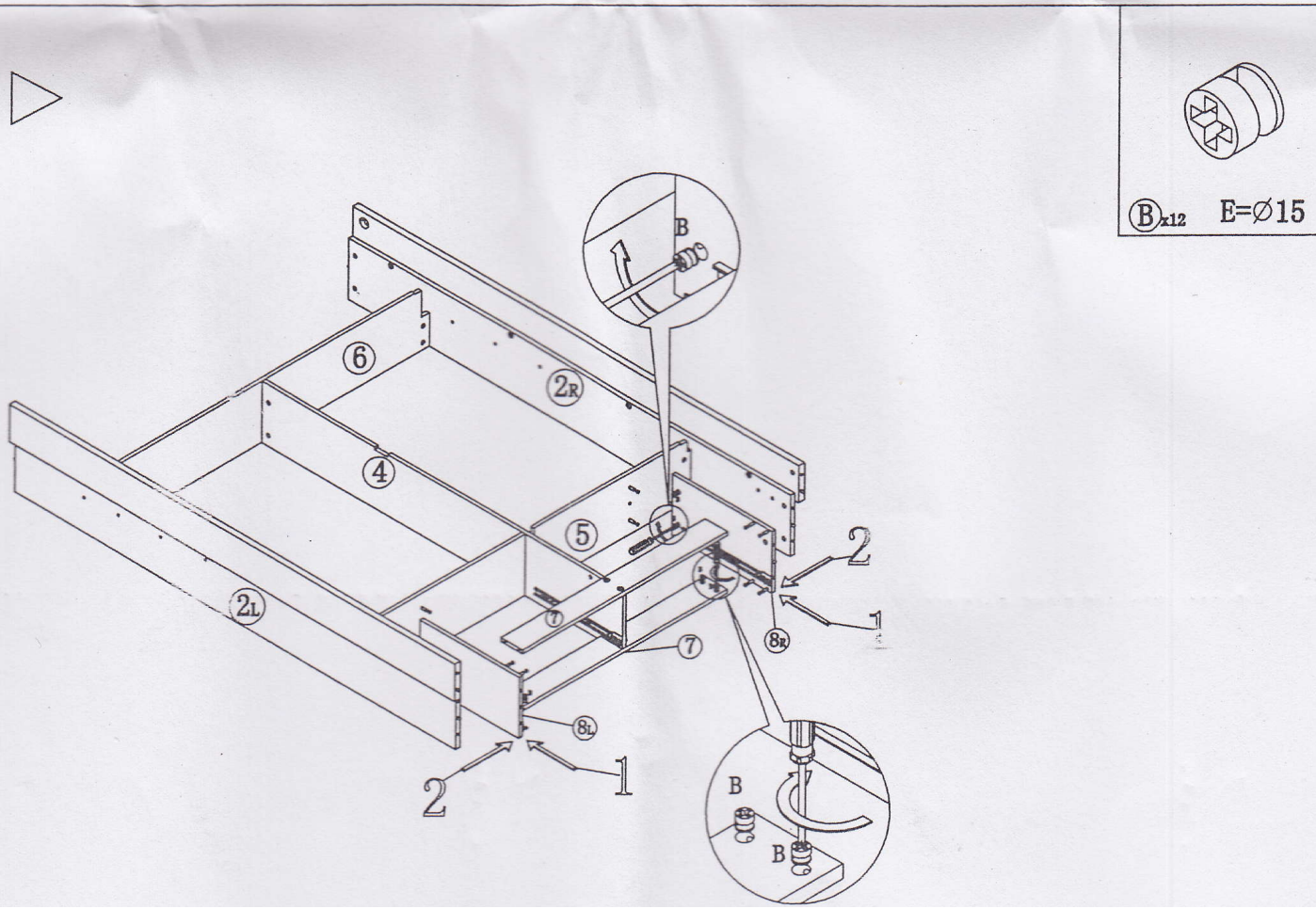


(C)_{x8} Ø8*30

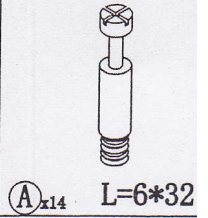
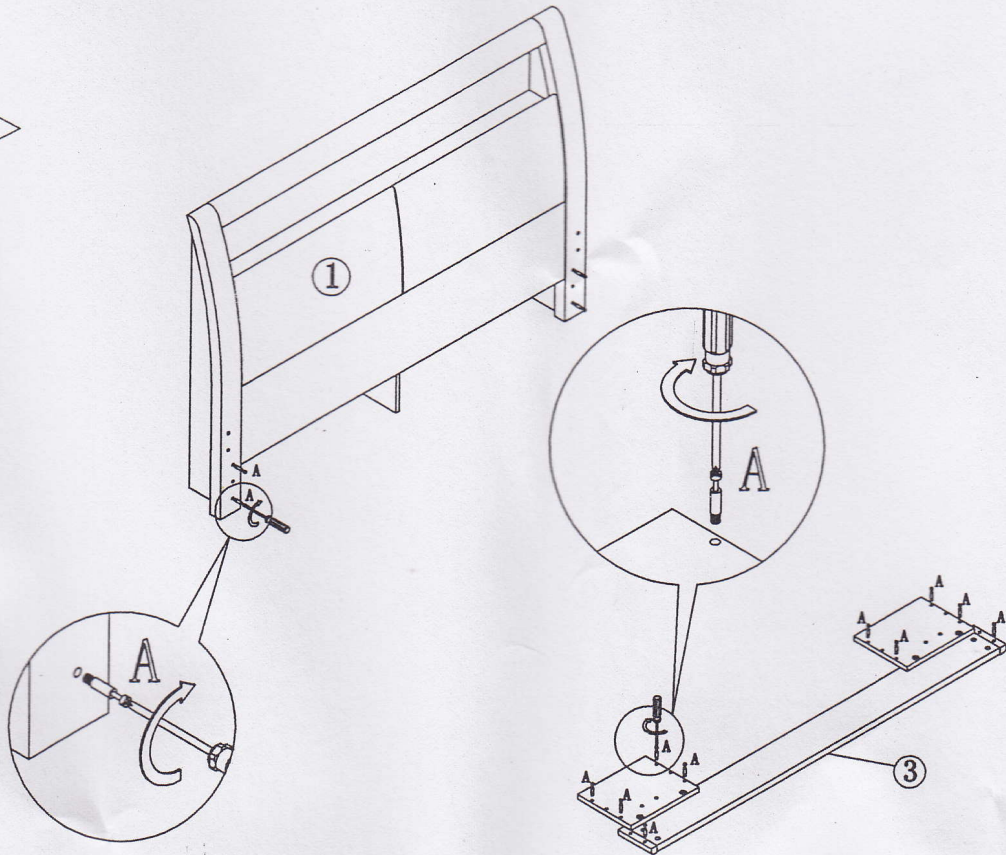
7 



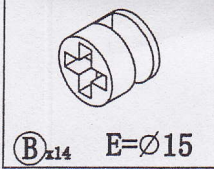
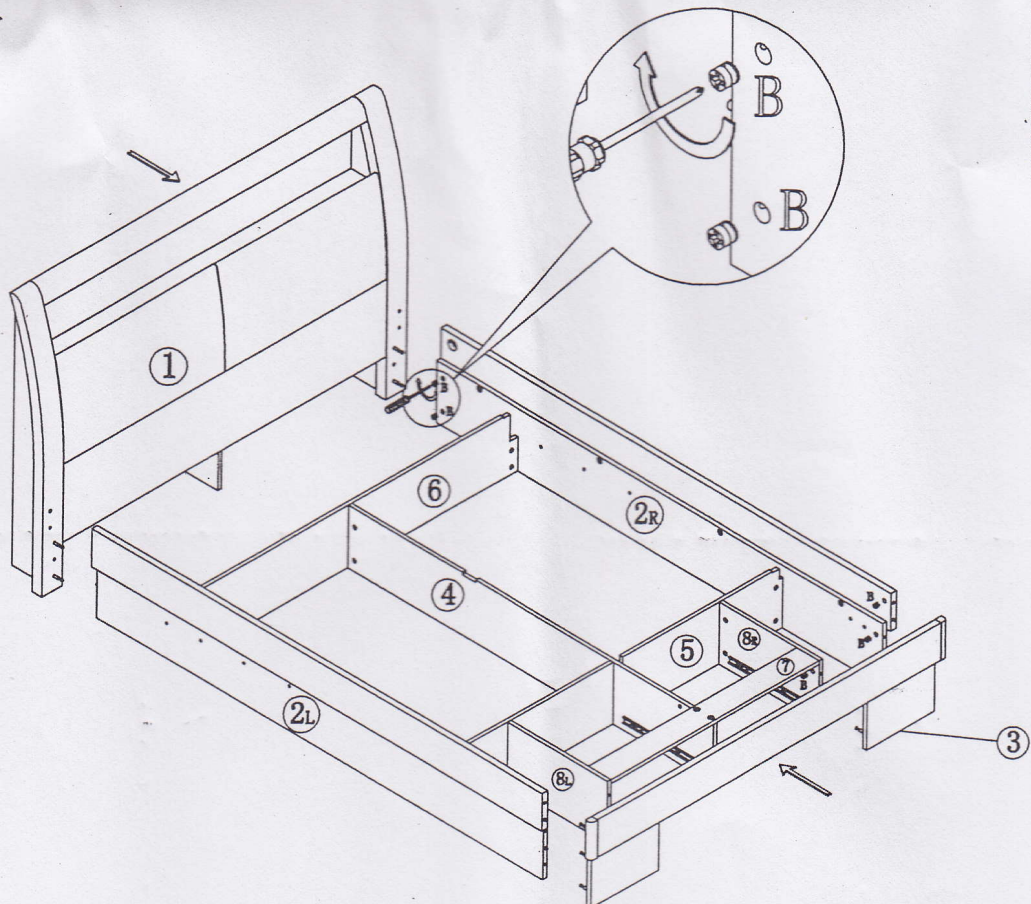
8 



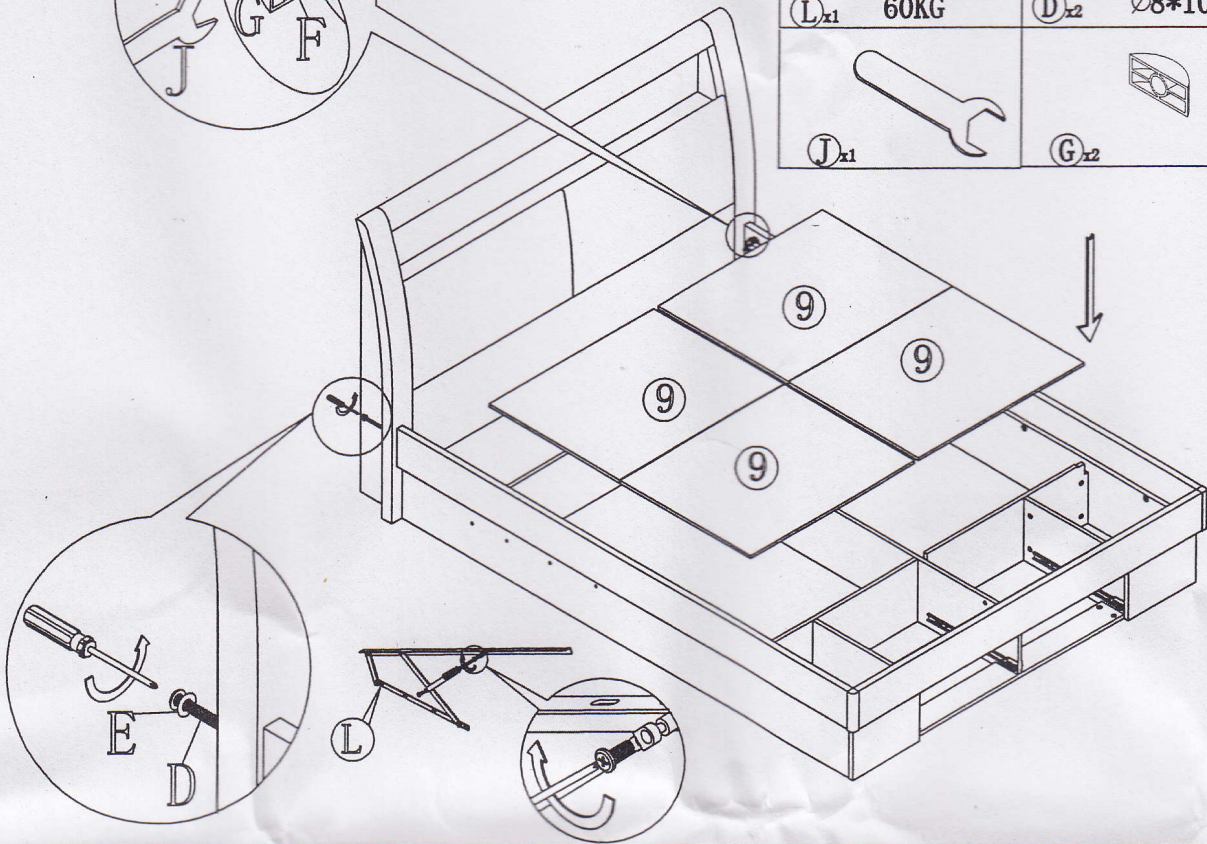
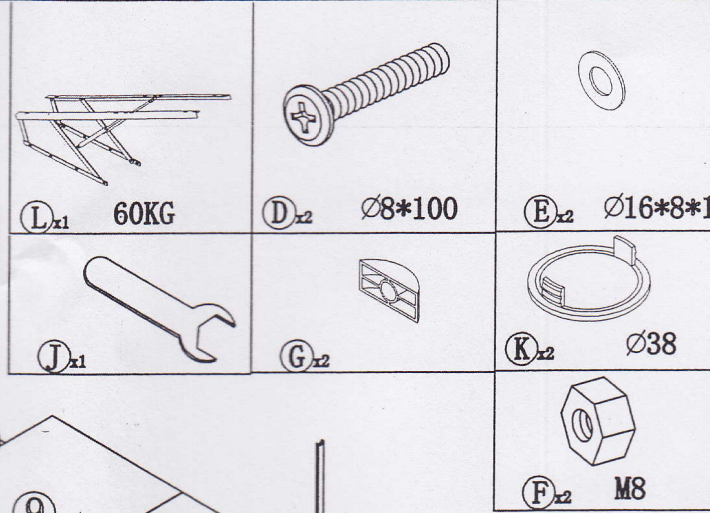
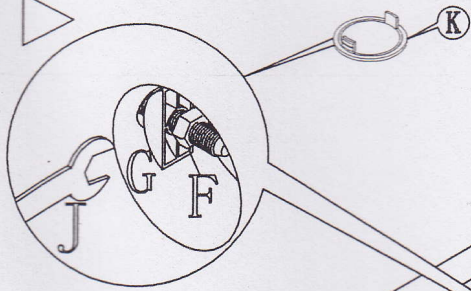
9 ▷



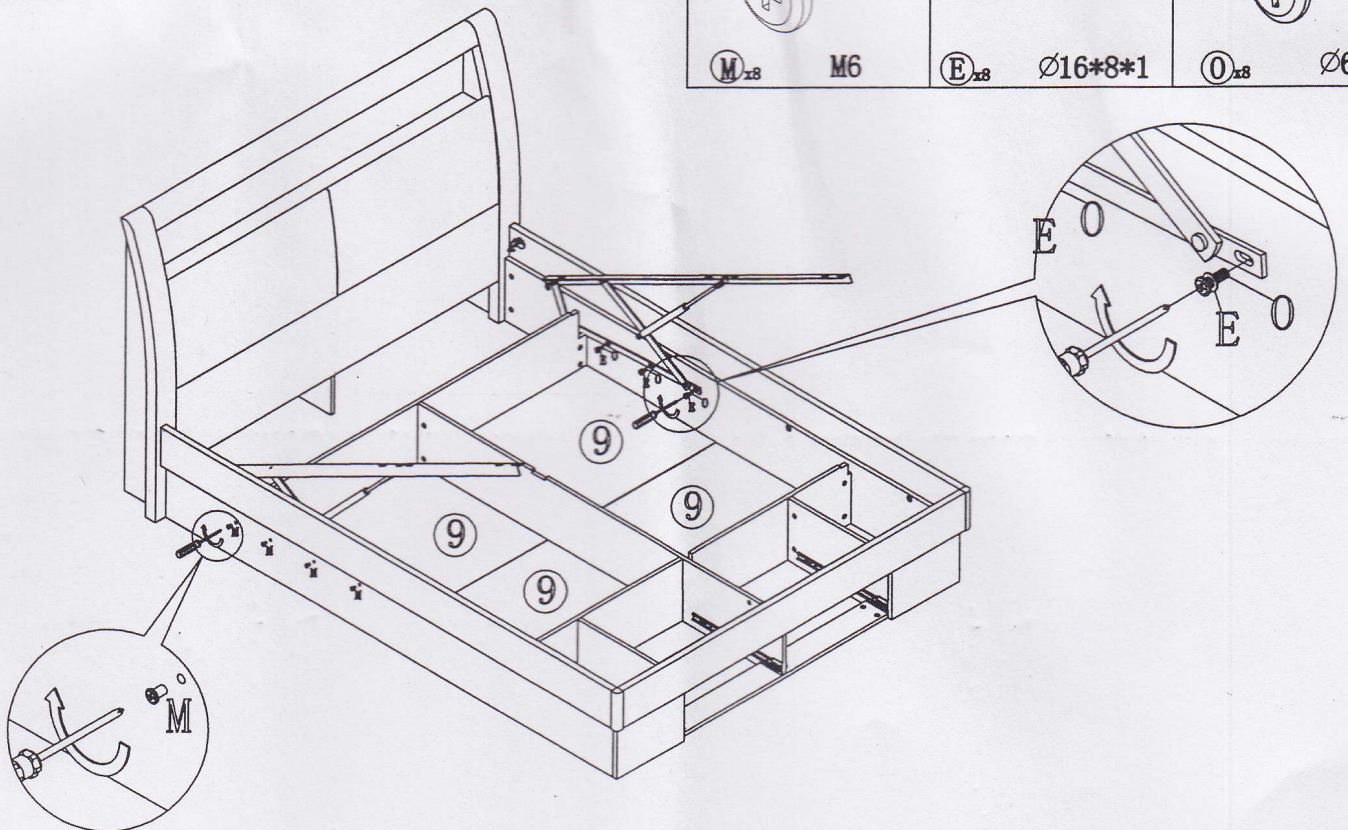
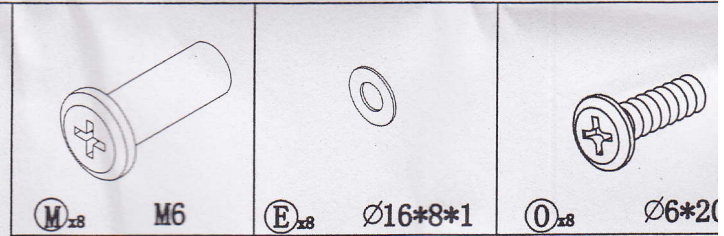
10 ▷



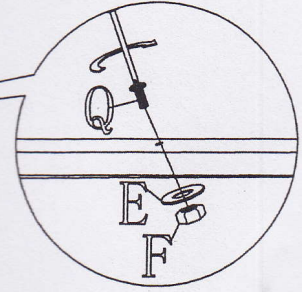
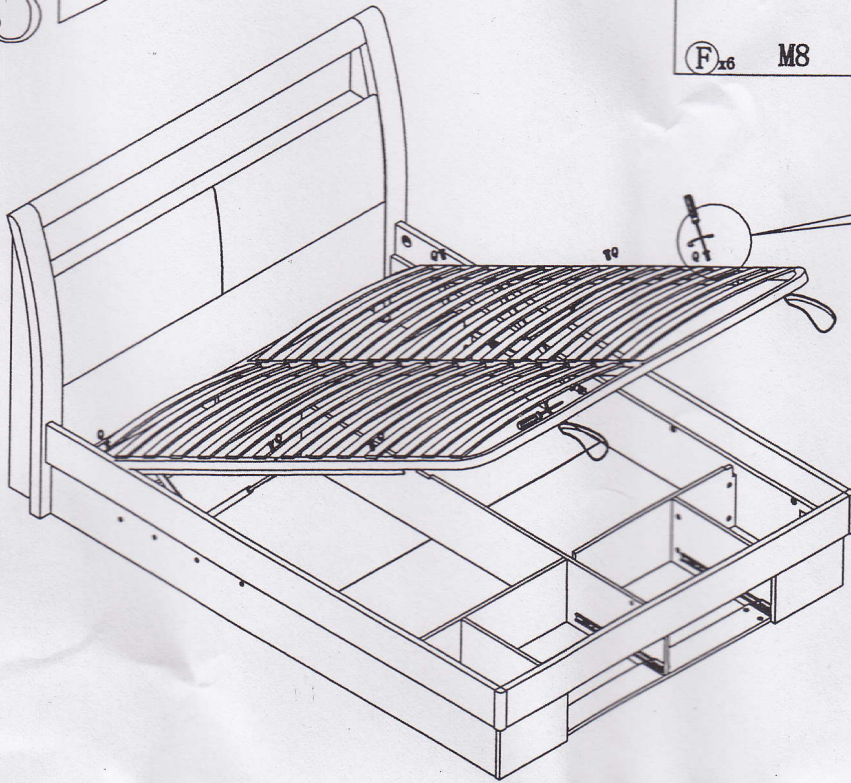
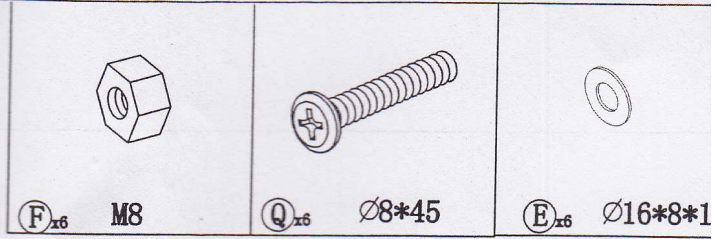
11 ▶



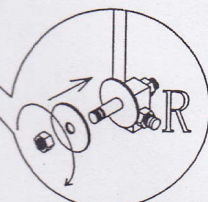
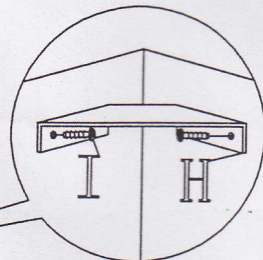
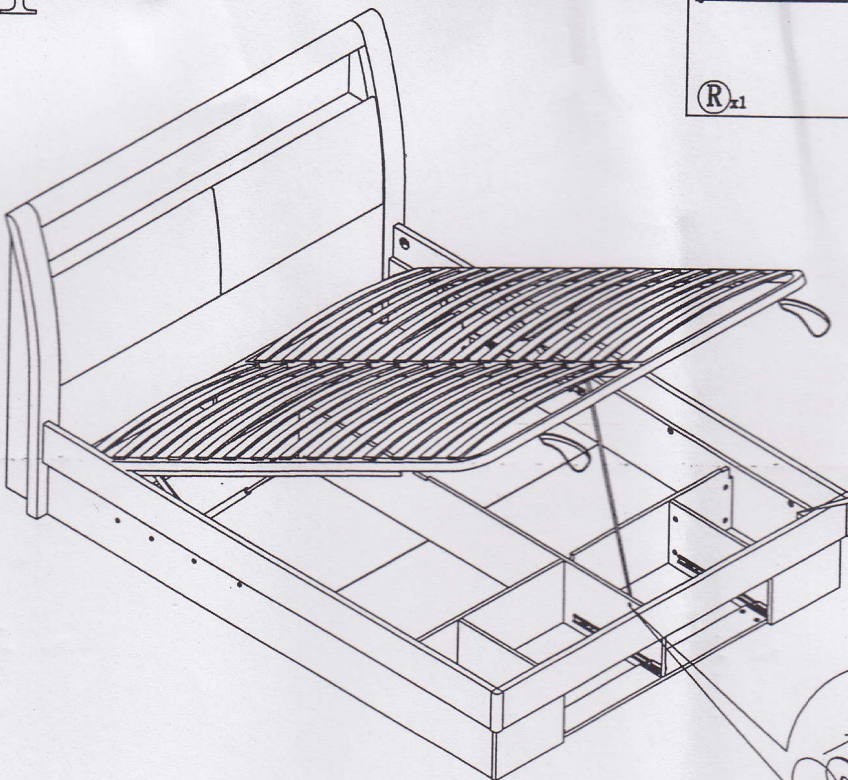
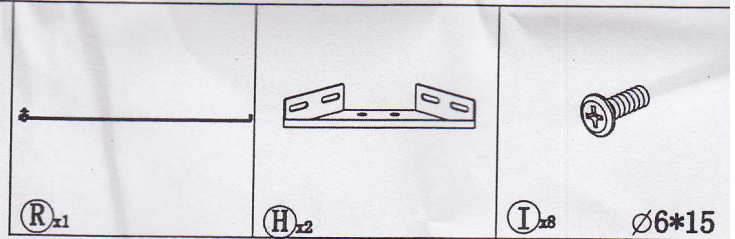
12 ▶



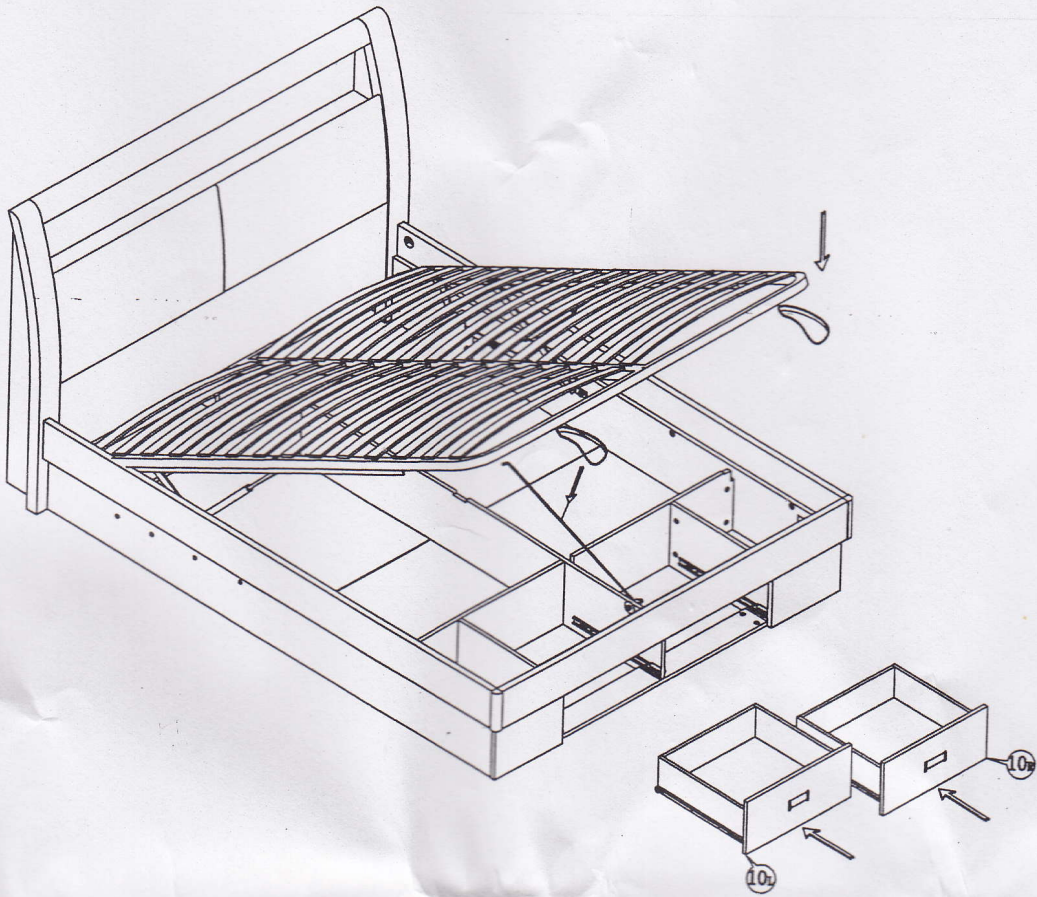
13▷



14▷



15 ▶



16 ▶

OK

