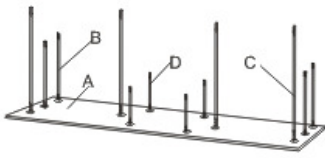
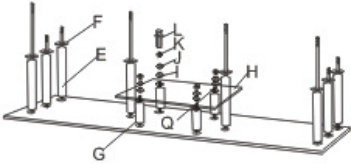
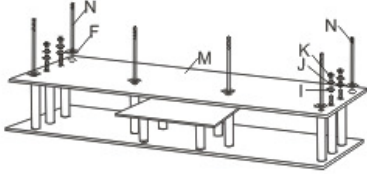
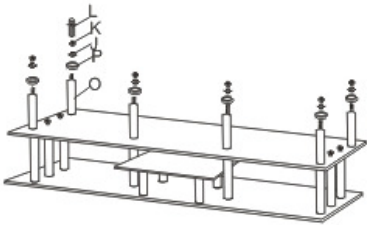
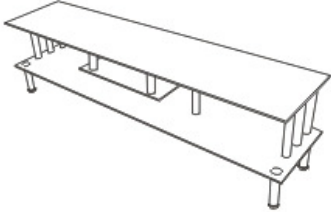


ASSEMBLE PICTURE

MODEL NO: Y12

																																																																						
		<table border="1"> <tbody> <tr> <td>A</td> <td></td> <td></td> <td>1</td> </tr> <tr> <td>B</td> <td></td> <td>8×305</td> <td>4</td> </tr> <tr> <td>C</td> <td></td> <td>8×475</td> <td>4</td> </tr> <tr> <td>D</td> <td></td> <td>8×150</td> <td>4</td> </tr> <tr> <td>E</td> <td></td> <td></td> <td>8</td> </tr> <tr> <td>F</td> <td></td> <td></td> <td>12</td> </tr> <tr> <td>G</td> <td></td> <td></td> <td>4</td> </tr> <tr> <td>H</td> <td></td> <td></td> <td>1</td> </tr> <tr> <td>I</td> <td></td> <td></td> <td>8</td> </tr> <tr> <td>J</td> <td></td> <td></td> <td>14</td> </tr> <tr> <td>K</td> <td></td> <td></td> <td>14</td> </tr> <tr> <td>L</td> <td></td> <td></td> <td>1</td> </tr> <tr> <td>M</td> <td></td> <td></td> <td>1</td> </tr> <tr> <td>N</td> <td></td> <td>8×180</td> <td>2</td> </tr> <tr> <td>O</td> <td></td> <td></td> <td>6</td> </tr> <tr> <td>P</td> <td></td> <td></td> <td>6</td> </tr> <tr> <td>Q</td> <td></td> <td></td> <td>4</td> </tr> </tbody> </table>	A			1	B		8×305	4	C		8×475	4	D		8×150	4	E			8	F			12	G			4	H			1	I			8	J			14	K			14	L			1	M			1	N		8×180	2	O			6	P			6	Q			4
A			1																																																																			
B		8×305	4																																																																			
C		8×475	4																																																																			
D		8×150	4																																																																			
E			8																																																																			
F			12																																																																			
G			4																																																																			
H			1																																																																			
I			8																																																																			
J			14																																																																			
K			14																																																																			
L			1																																																																			
M			1																																																																			
N		8×180	2																																																																			
O			6																																																																			
P			6																																																																			
Q			4																																																																			