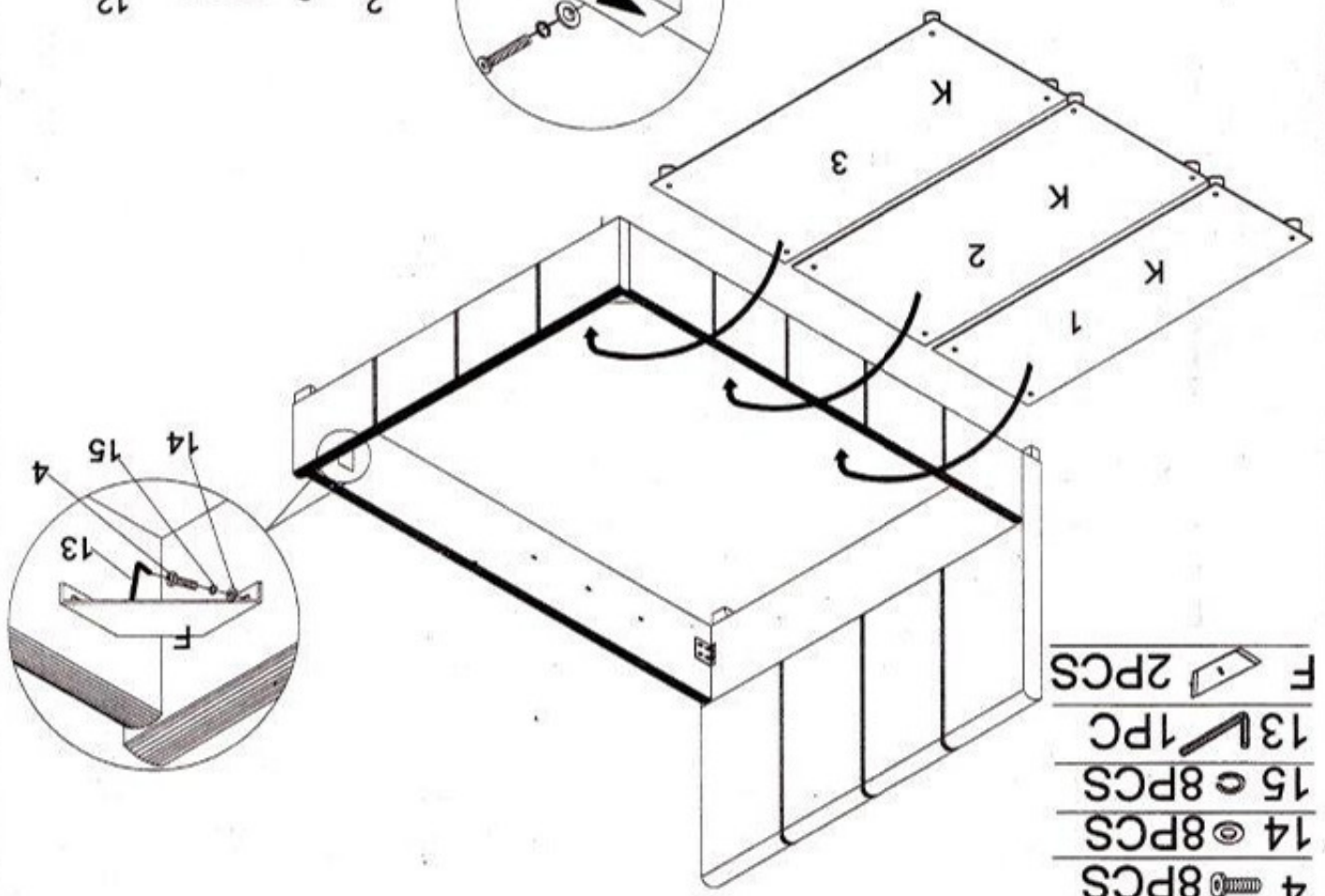


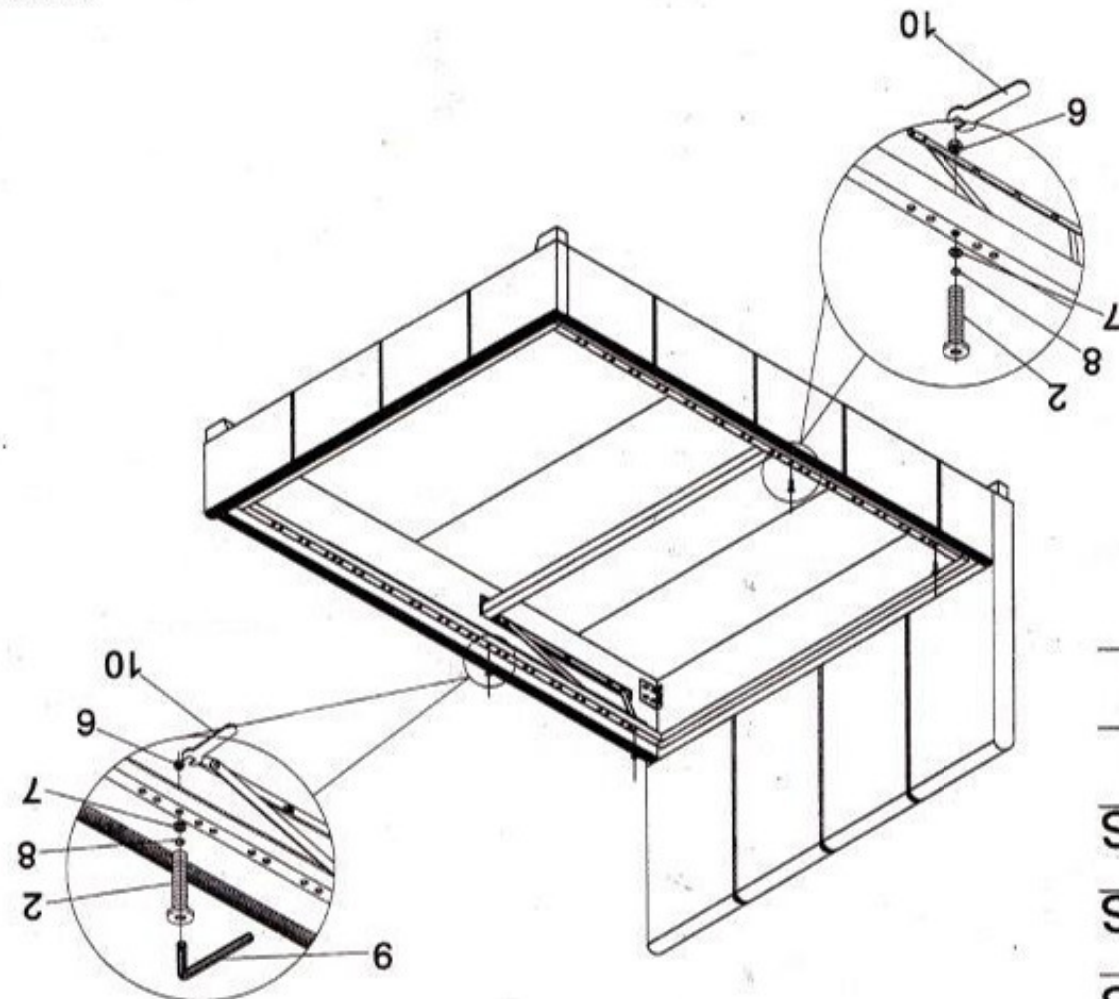
- 2 6PCS
- 6 6PCS
- 7 6PCS
- 8 6PCS
- 9 1PC
- 10 1PC
- 12 2PCS
- 16 1PCS

STEP 4

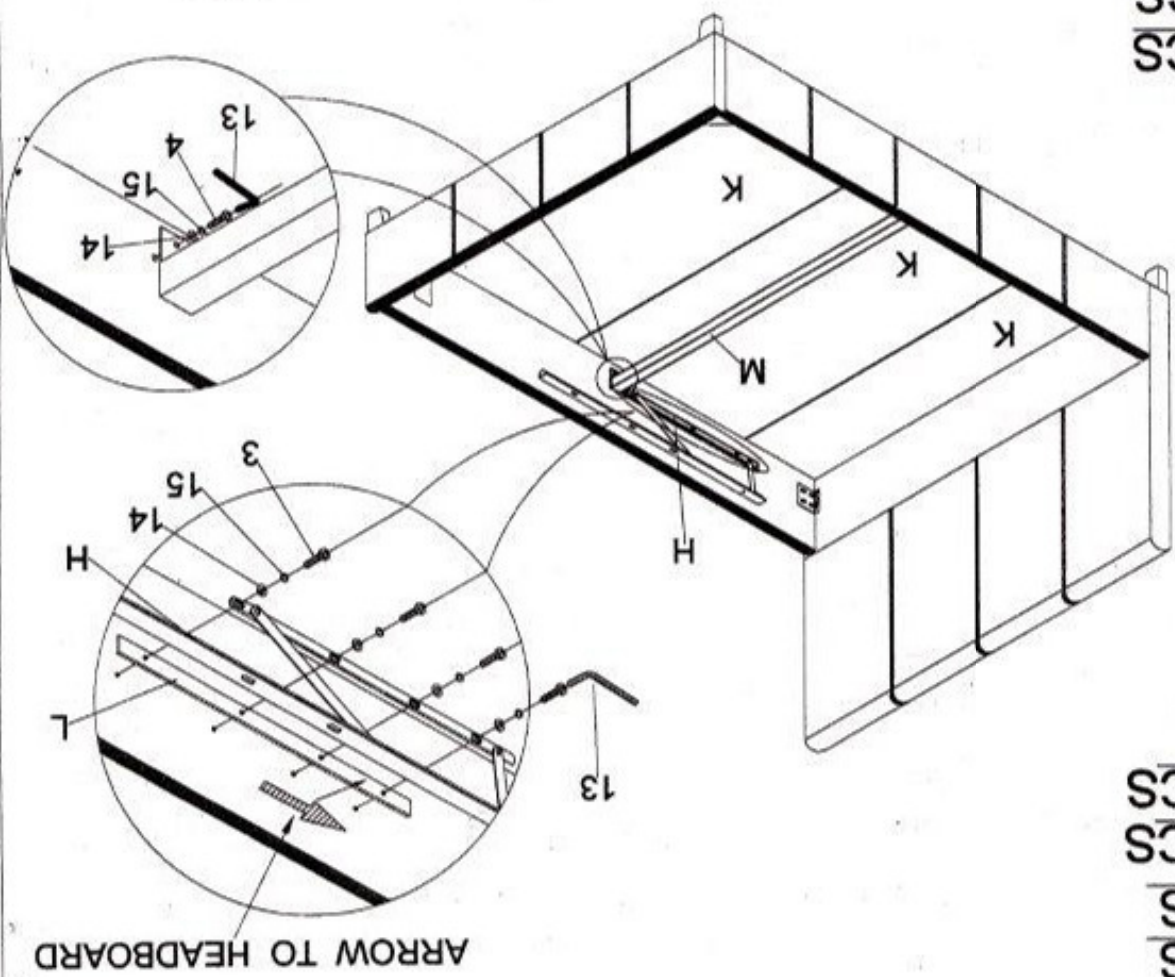


- 4 8PCS
- 14 8PCS
- 15 8PCS
- 13 1PC
- F 2PCS

STEP 3

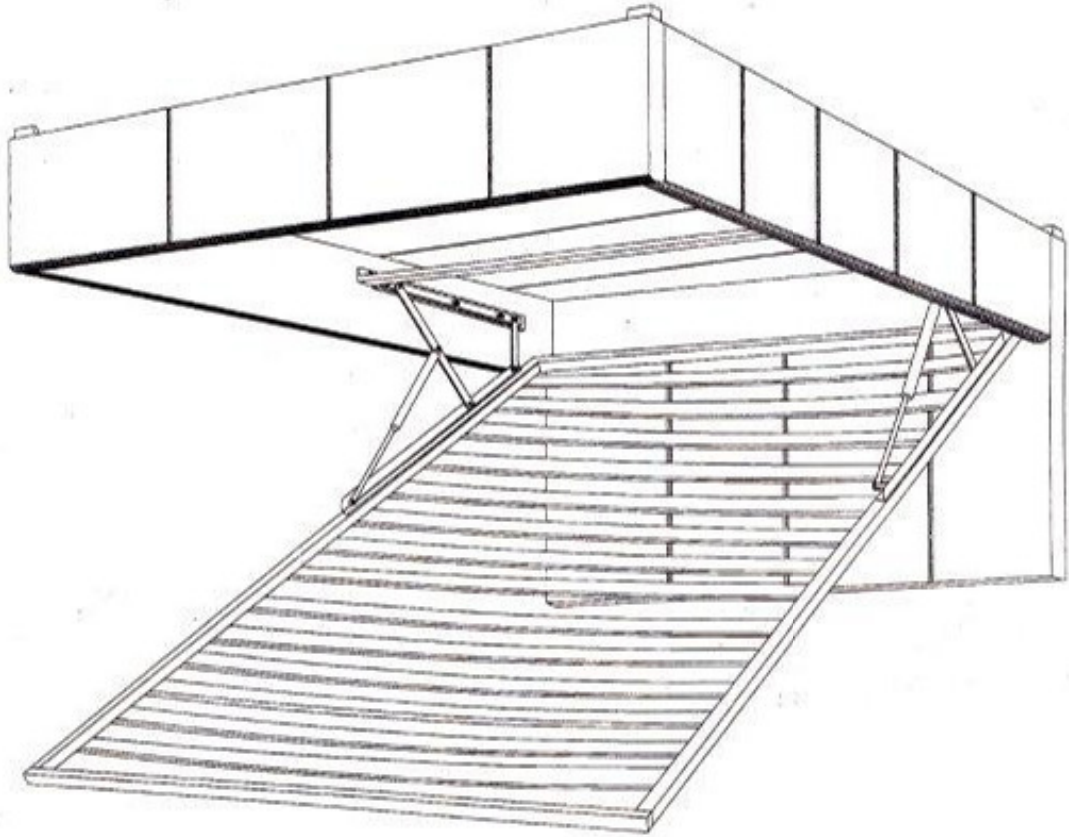


- STEP 6**
- 2 4PCS
 - 6 4PCS
 - 7 4PCS
 - 8 4PCS
 - 9 1PC
 - 10 1PC



ARROW TO HEADBOARD

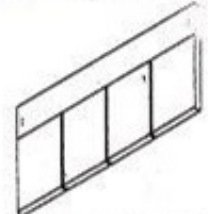
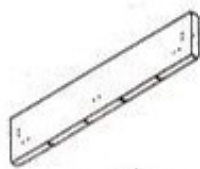
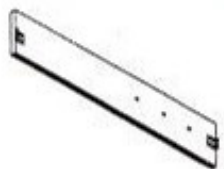







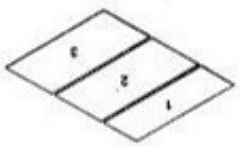


- STEP 5**
- 3 8PCS
 - 4 2PCS
 - 14 10PCS
 - 15 10PCS
 - 13 1PC


















BU7122N

ASSEMBLY DIAGRAM

Parts List

<p>A:HEADBOARD 1PC</p> 	<p>B:FOOTBOARD 1PC</p> 	<p>C:SIDERAILS 2PCS</p> 	<p>D:BEDSTEAD KD 1SETS</p> 
<p>E:SLAT 14PCS</p> 	<p>F:ANGLE IRON 2PCS</p> 	<p>G:STEAM MOVING BAR 2PCS</p> 	<p>H:STEAM MOVING MECHANICA 2PCS</p> 
<p>I: 12 PCS</p> 	<p>J: FOOT 4PCS</p> 	<p>K: Non-Moven Bed Base 3PC</p> 	<p>L: 2PCS</p> 
<p>M 1PC</p> 			

Hardware List

<p>1:SCREW 20PCS</p> 	<p>2:SCREW 14PCS</p> 	<p>3:SCREW 8PCS</p> 	<p>4:SCREW 10PCS</p> 	<p>5:FLANGE NUT 4PCS</p> 	<p>6:NUT 10PCS</p> 
<p>7:FLAT WASHER 22PCS</p> 	<p>8:SPRING WASHER 22PCS</p> 	<p>9:ALLEN KEY 1PC</p> 	<p>10:SPANNER 1PC</p> 	<p>11:SINGLE PLASTIC CAP 28PCS</p> 	<p>12:ANGLE IRON 2PCS</p> 
<p>13:ALLEN KEY 1PC</p> 	<p>14:FLAT WASHER 18PCS</p> 	<p>15:SPRING WASHER 18PCS</p> 	<p>16: 1PC</p> 