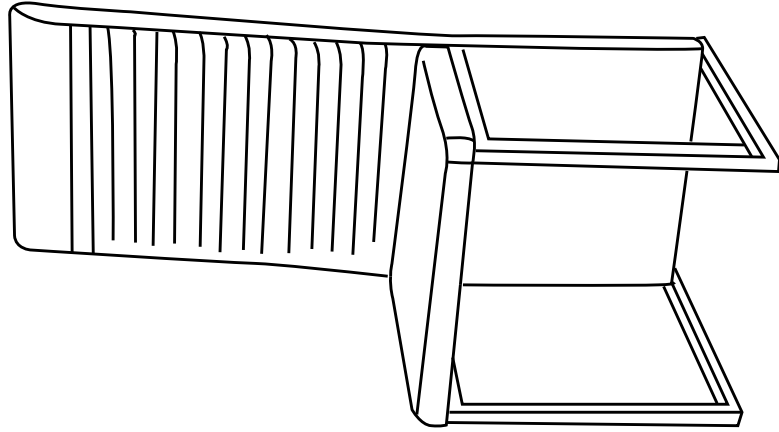
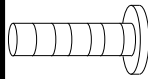


RANDWICK



A



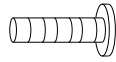
6*40 X4

C



X8

B



6*20 X4

D



X1

