



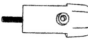
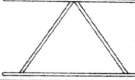
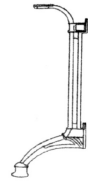
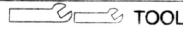


NO	PART	QTY
A		4
B		4
C		4
D		2
E		2
F		1
G		4
H	 TOOL	1

