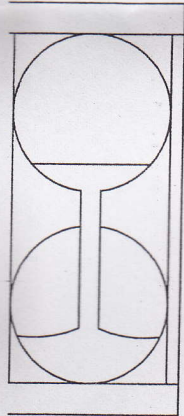
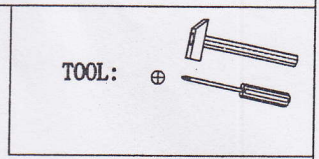
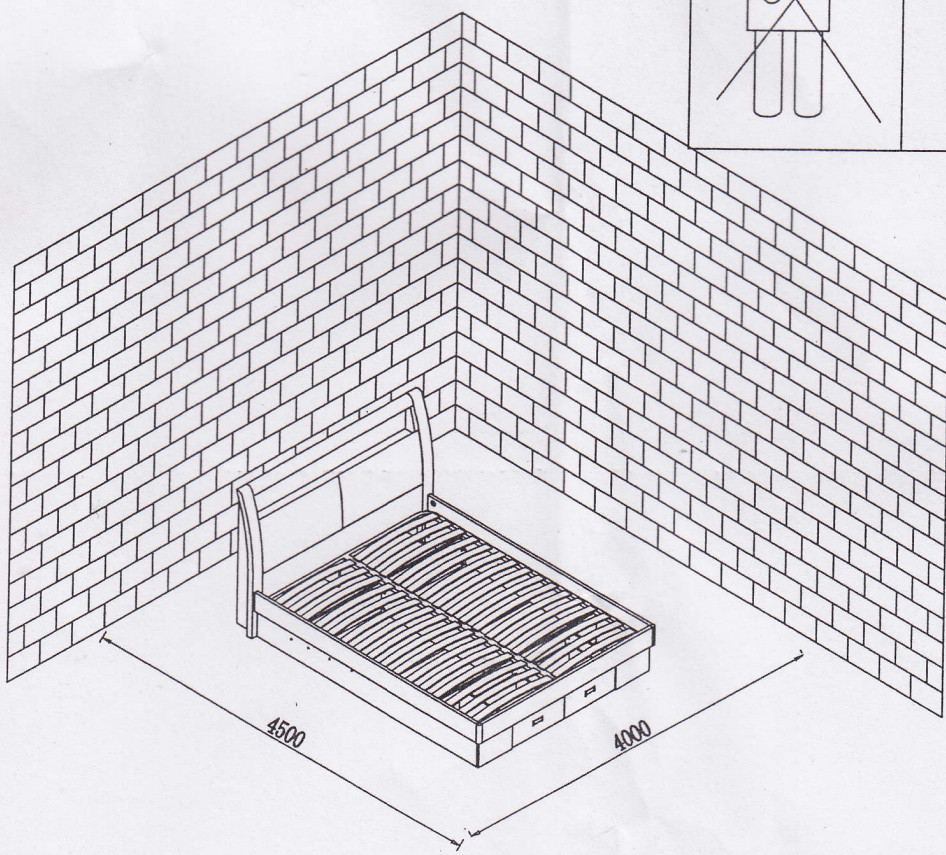
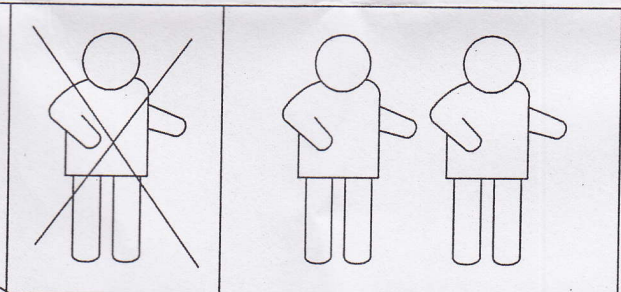


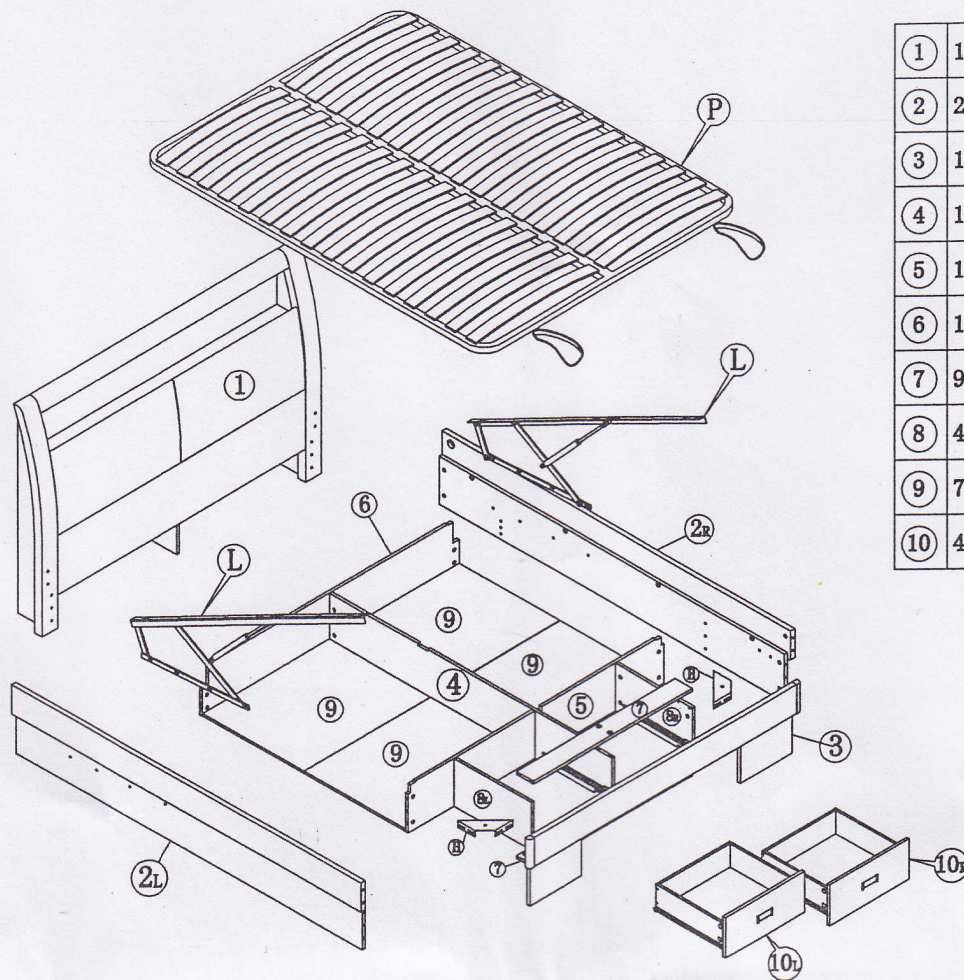
9606A (1530*2030)



0min.




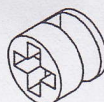

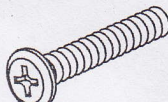





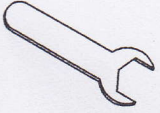
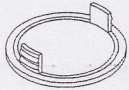
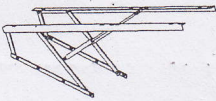
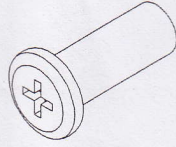
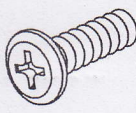
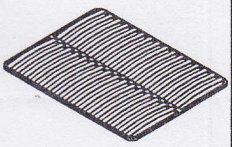
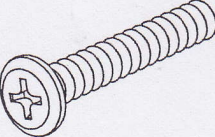

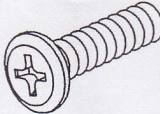
tb



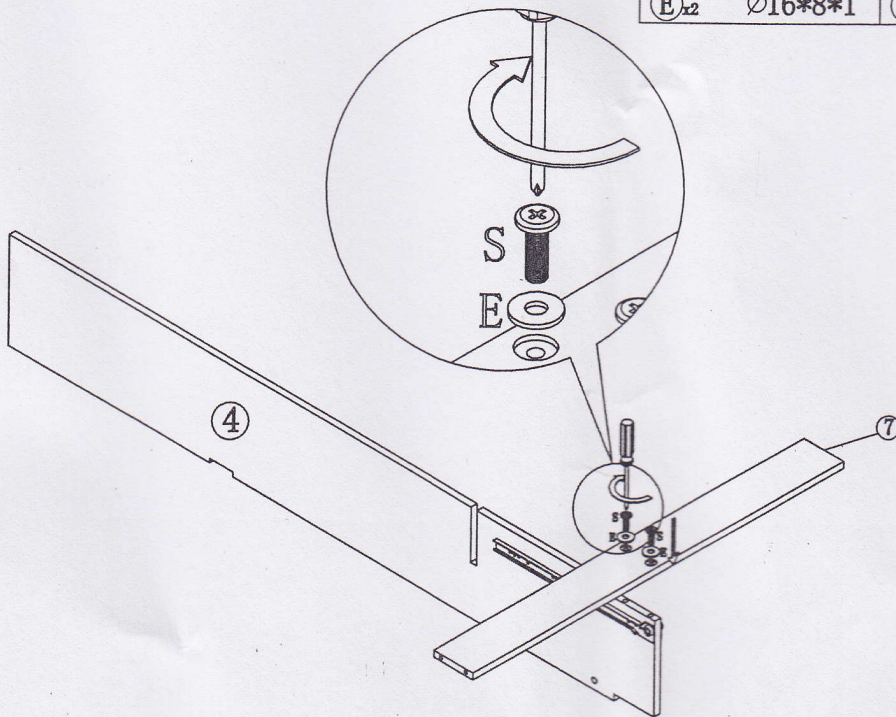
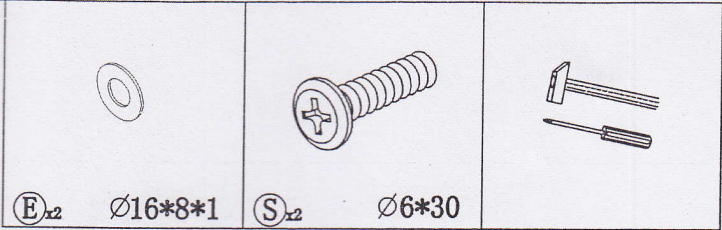
①	1622*1090*195=1
②	2030*356*43=1R/1L
③	1584*356*43=1
④	1645*240*15=1
⑤	1494*240*15=1
⑥	1494*240*15=1
⑦	928*100*15=2
⑧	450*240*15=1R/1L
⑨	735*587*12=4
⑩	460*415*202=1R/1L

mm

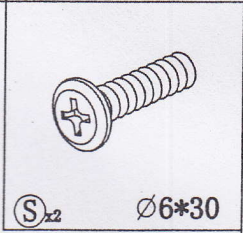
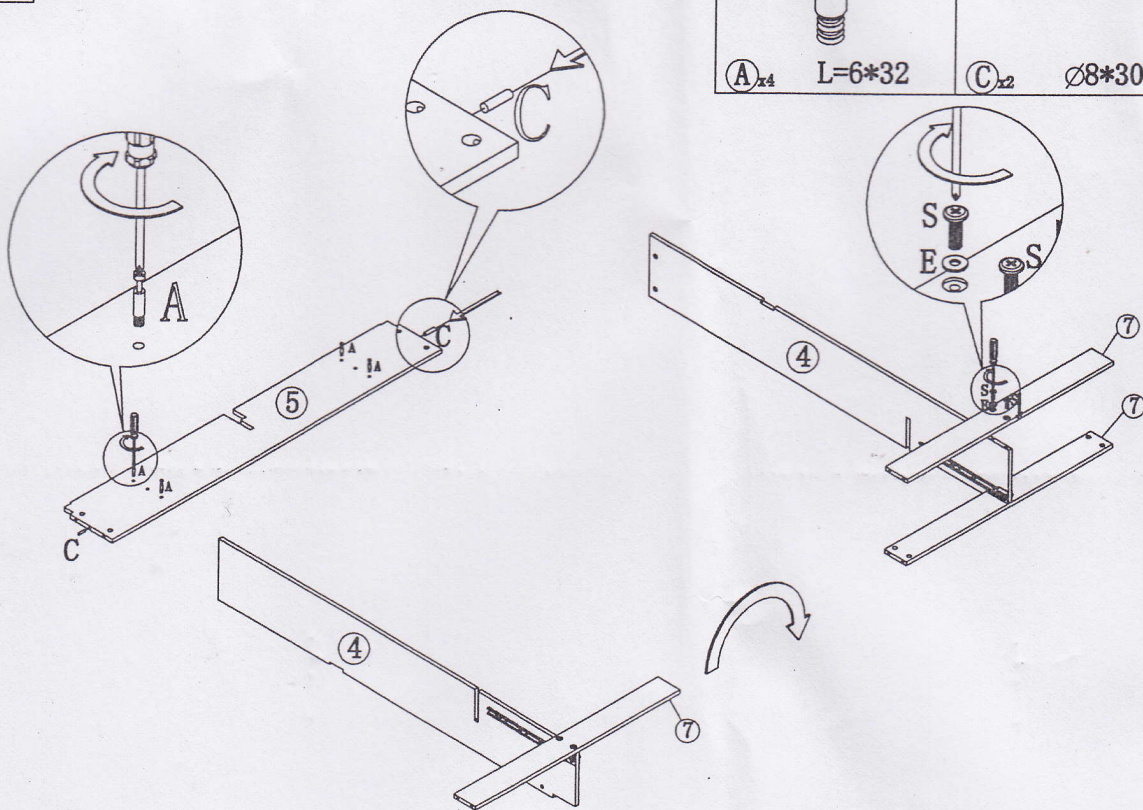
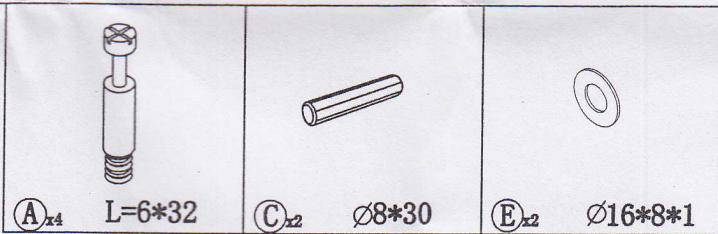
10
20
30
40
50
60
70
80
90
100
110
120

 A _{x36} L=6*32	 B _{x36} E=∅15	 C _{x17} ∅8*30	 D _{x2} ∅8*100	 E _{x20} ∅8*16*1
 F _{x8} M8	 G _{x2}	 H _{x2}	 I _{x8} ∅6*15	 J _{x1}
 K _{x2} ∅38	 L _{x1} 60KG	 M _{x8} M6	 N _{x8} ∅6*20	 P _{x1} 2000*1470*30
 Q _{x6} ∅8*45	 R _{x1}	 S _{x4} ∅6*30		

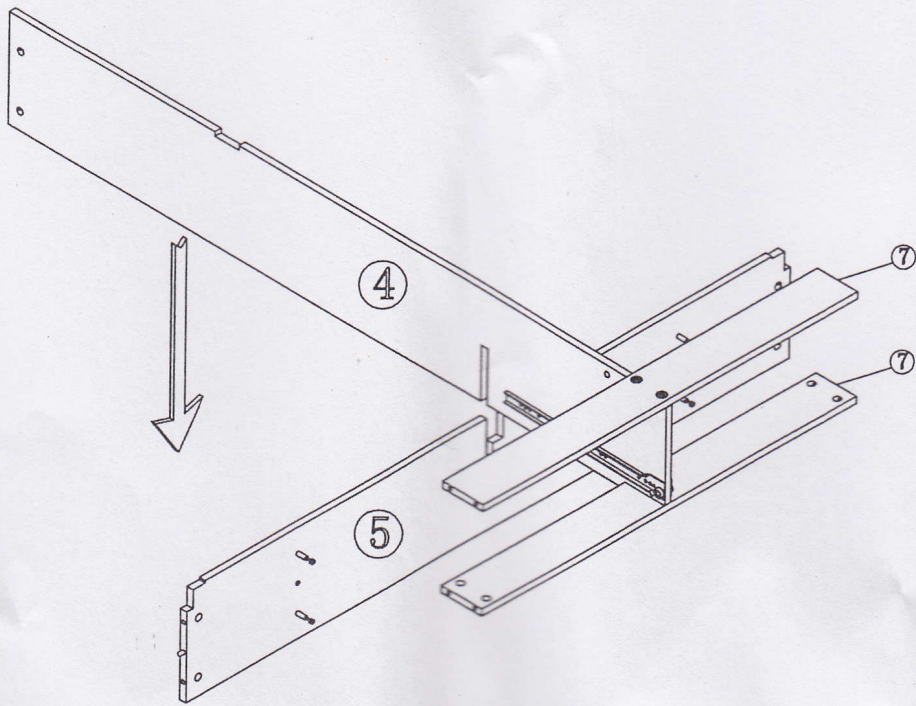
1 ▶



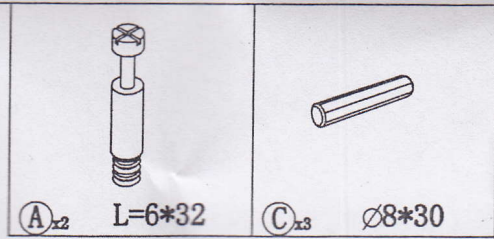
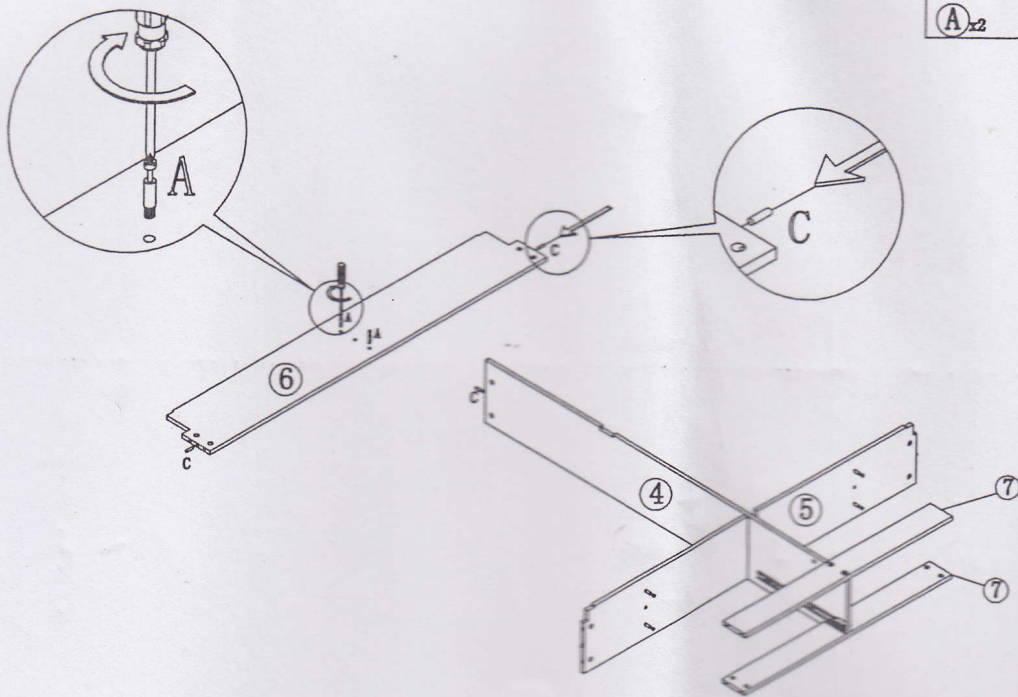
2 ▶



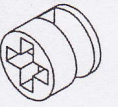
3 ▷



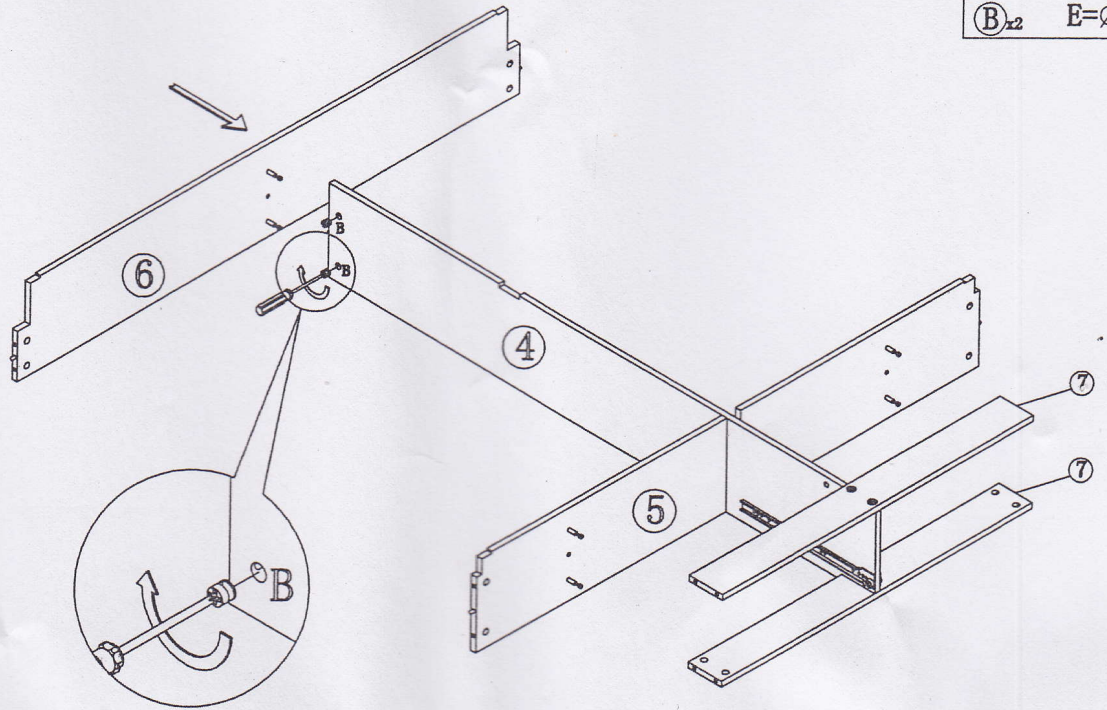
4 ▷



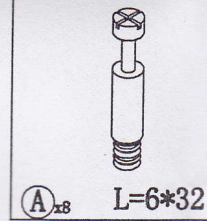
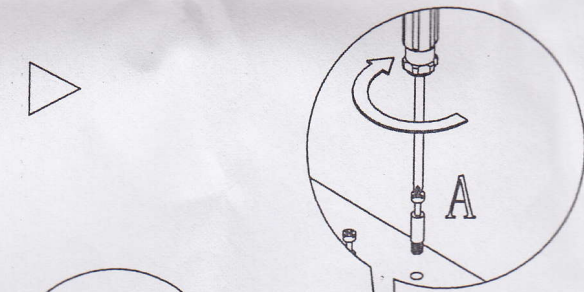
5 ▸



ⓑ_{x2} E=Ø15



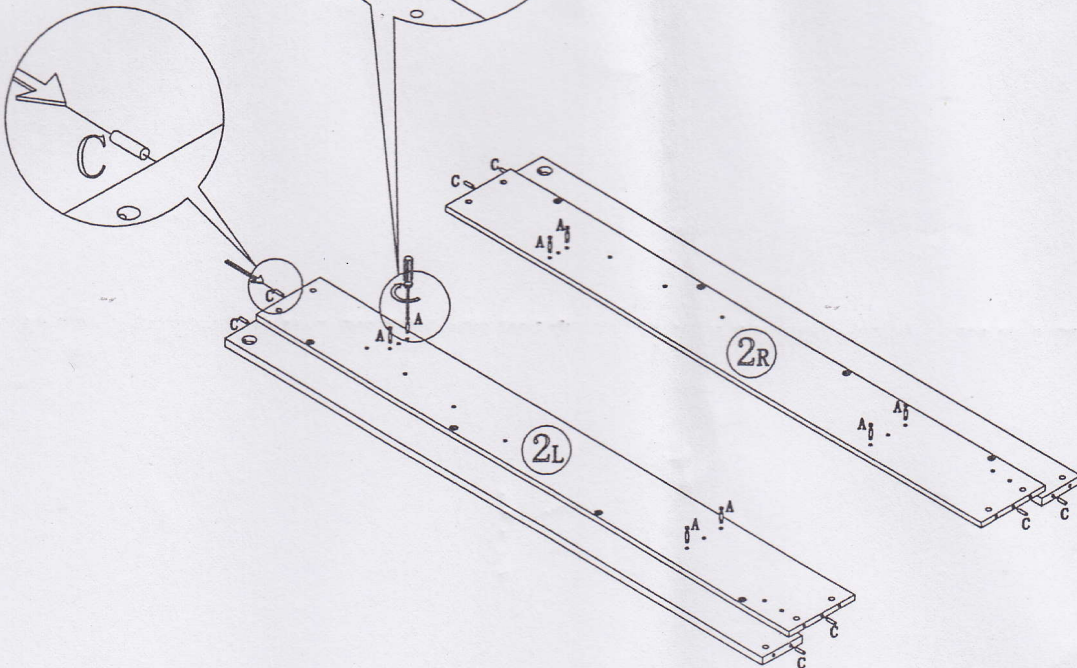
6 ▸




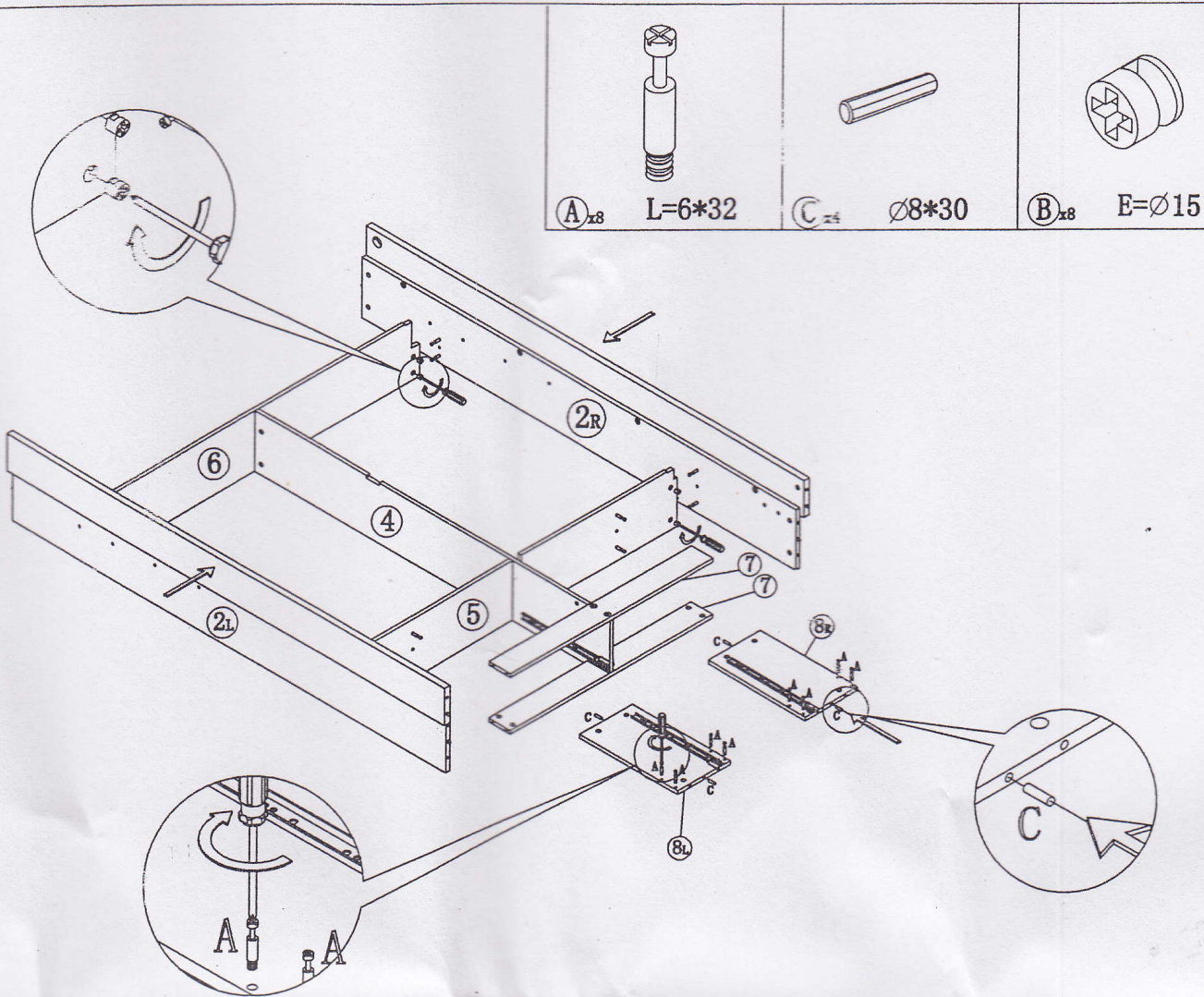
Ⓐ_{x8} L=6*32




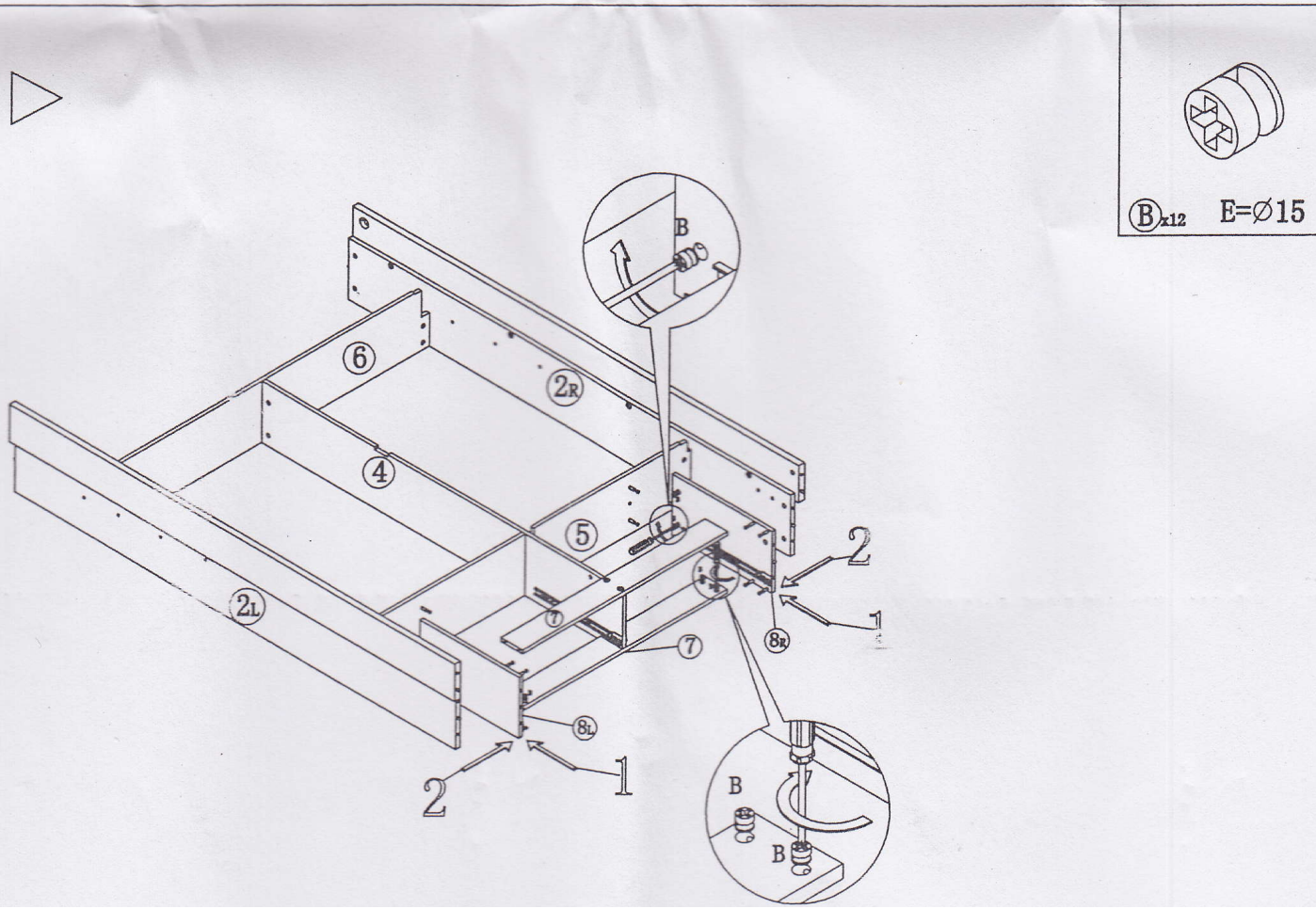
ⓒ_{x8} Ø8*30



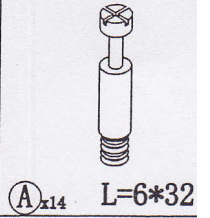
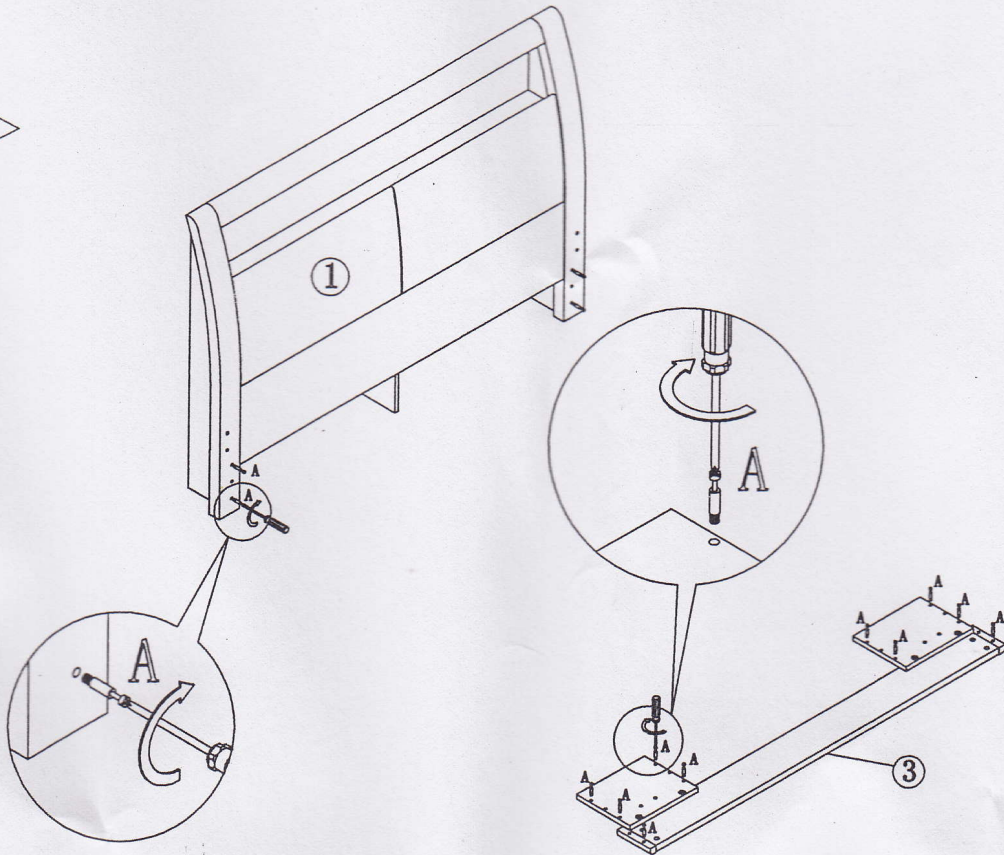
7 



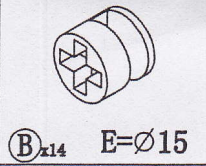
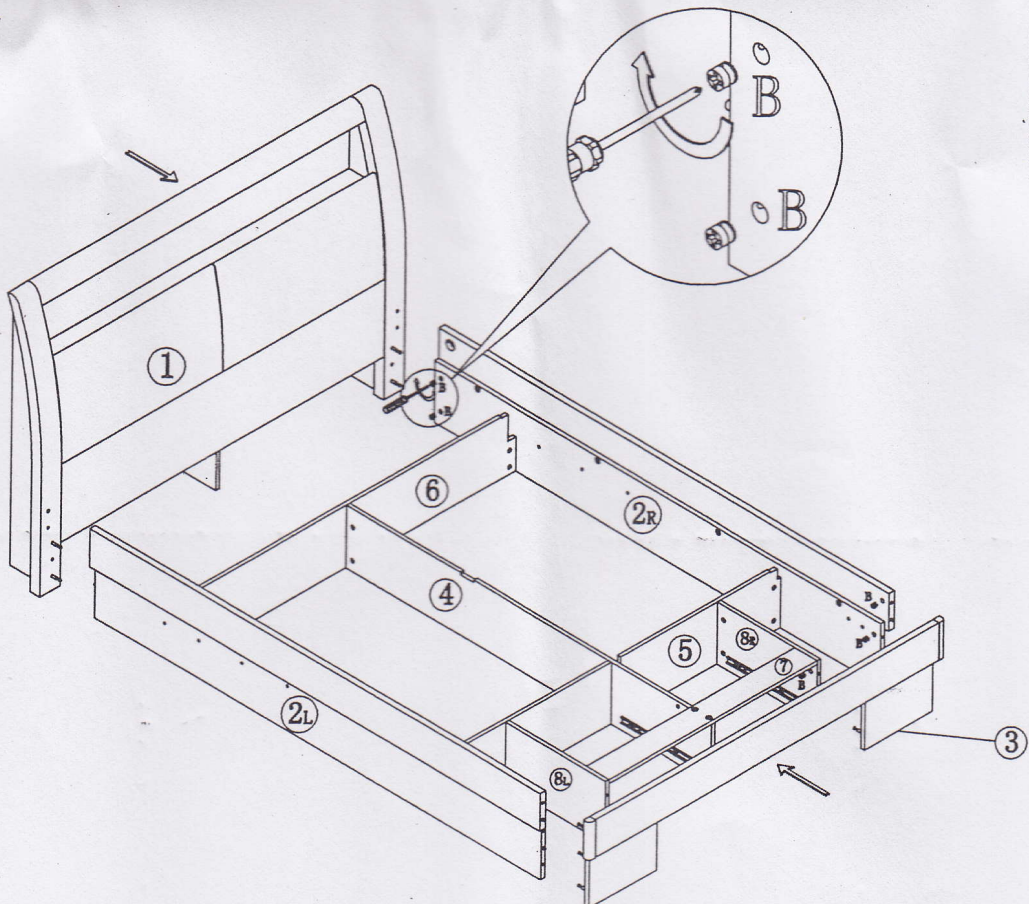
8 



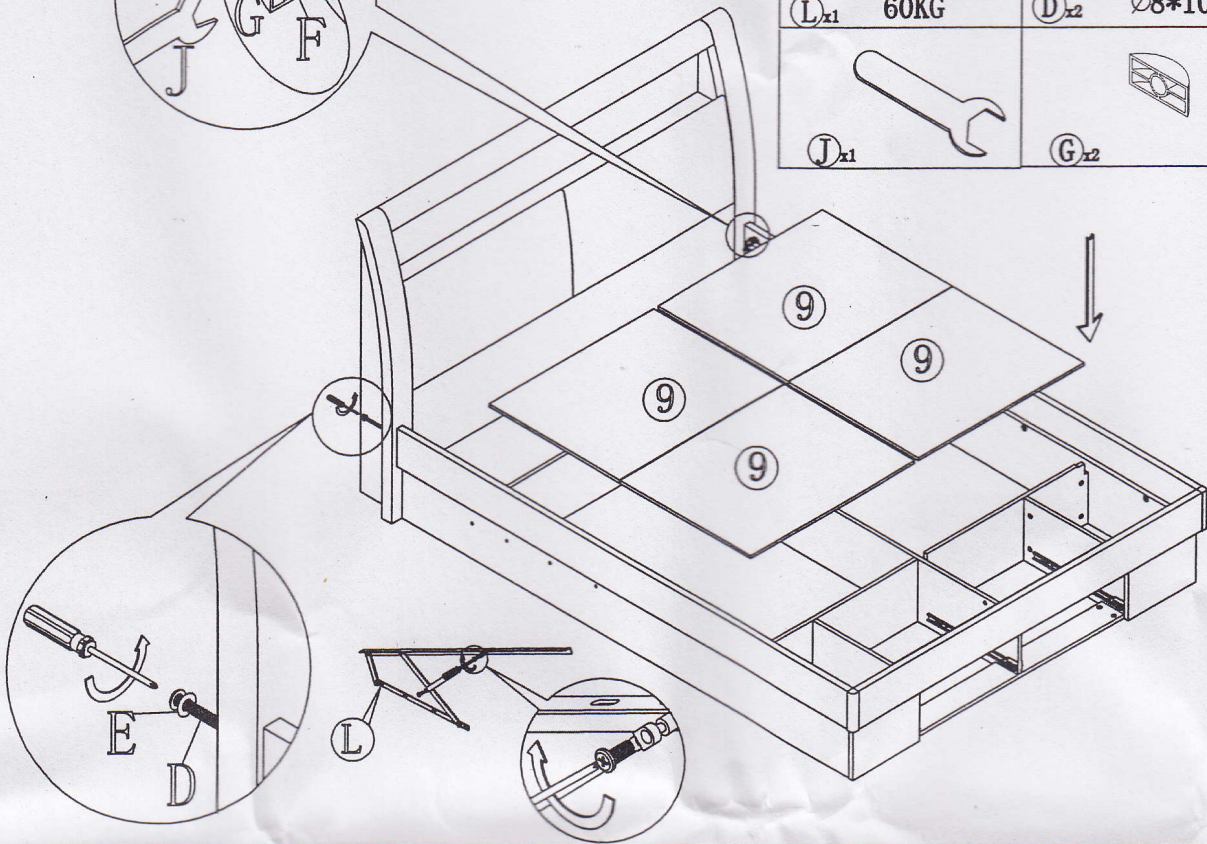
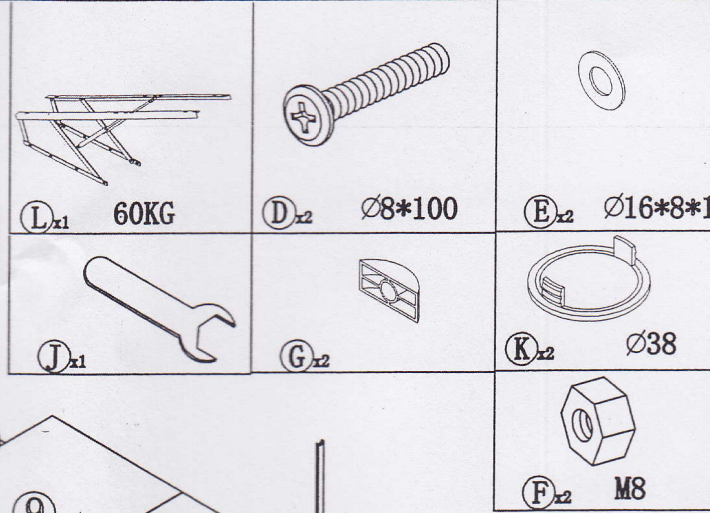
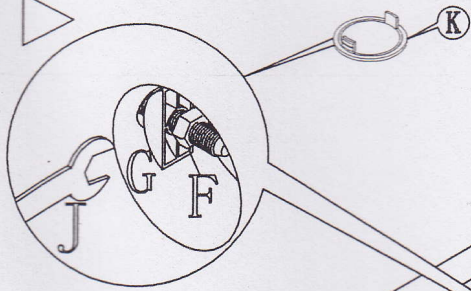
9 ▷



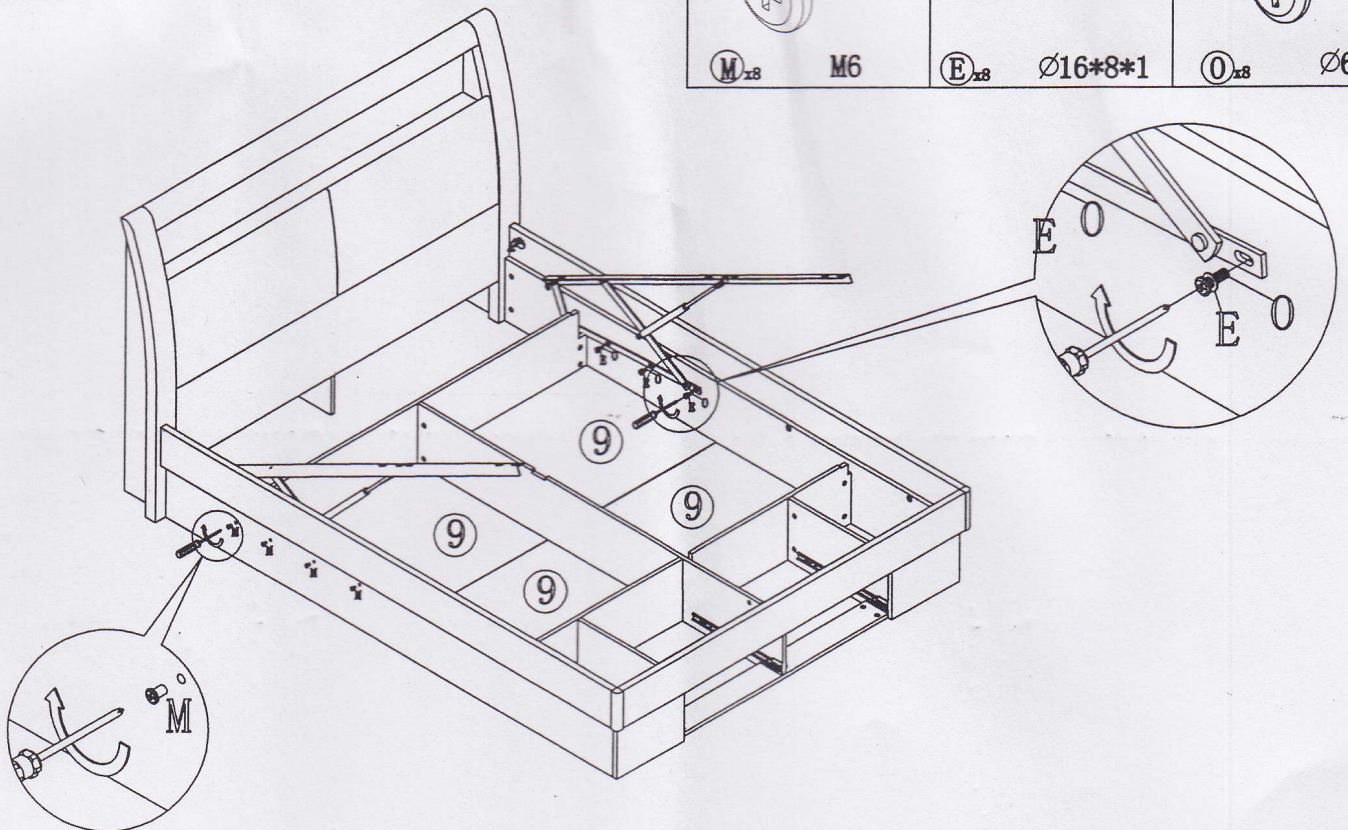
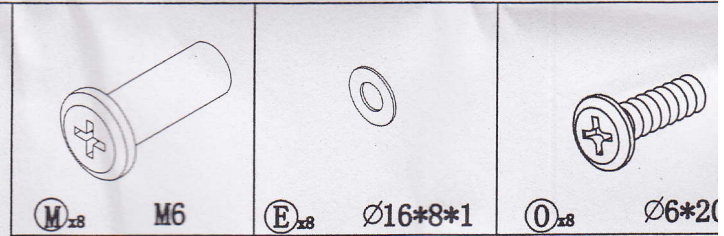
10 ▷



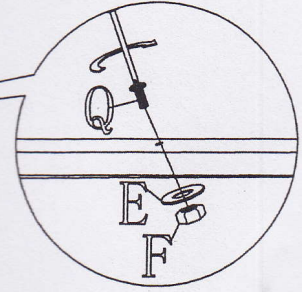
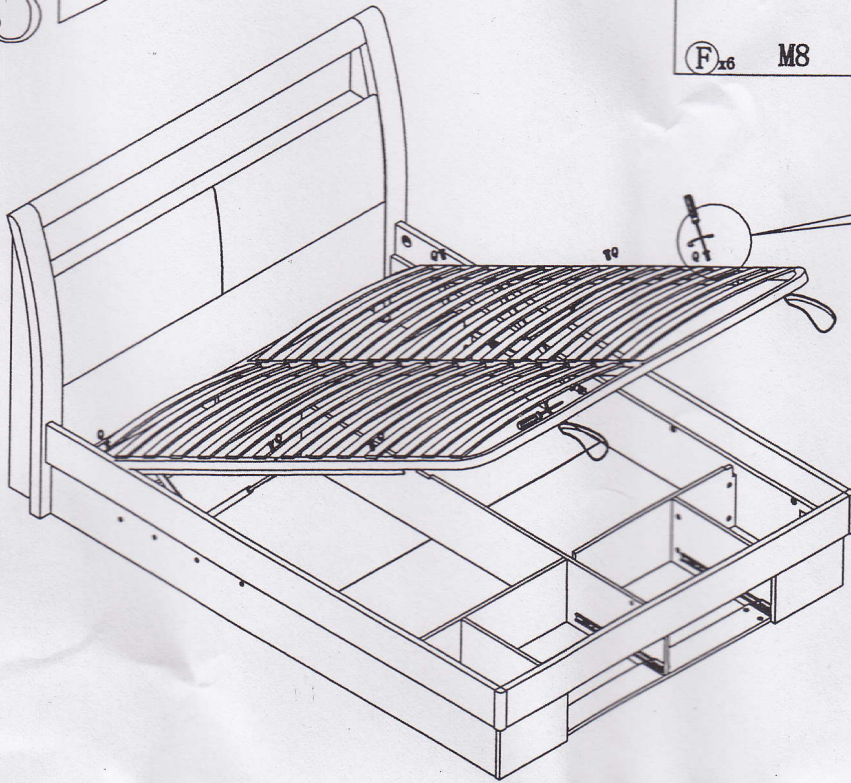
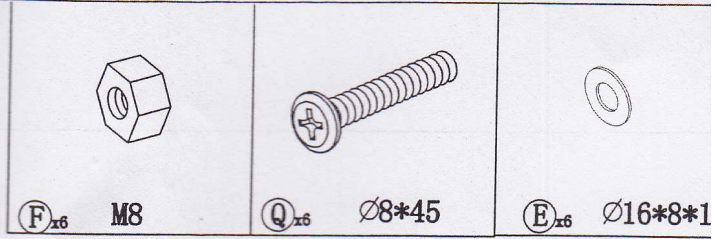
11 ▶



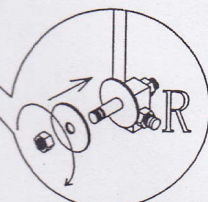
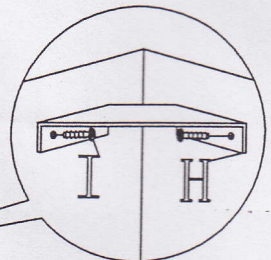
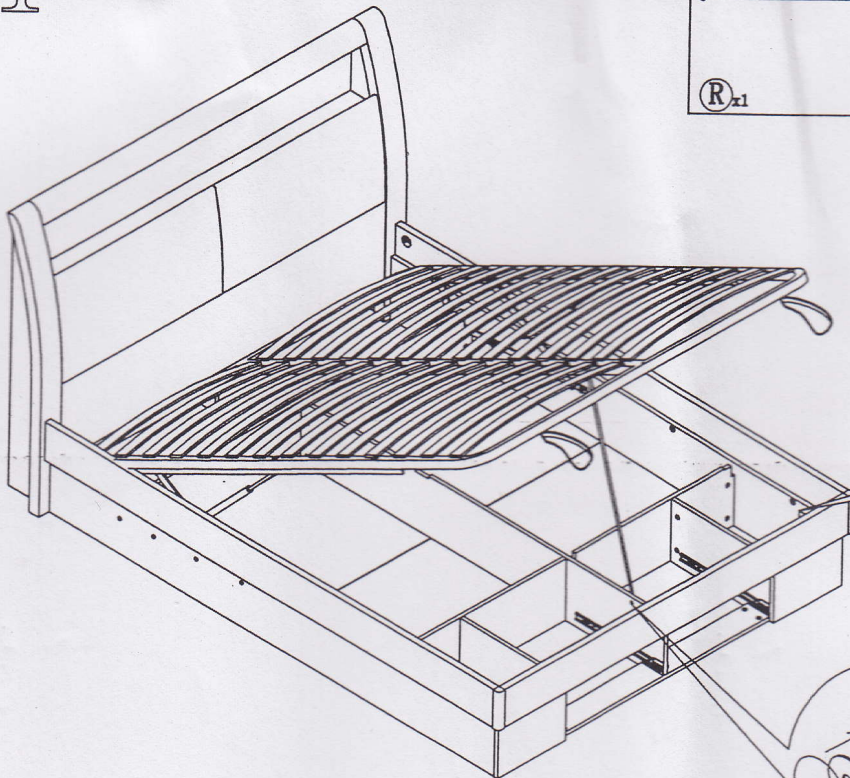
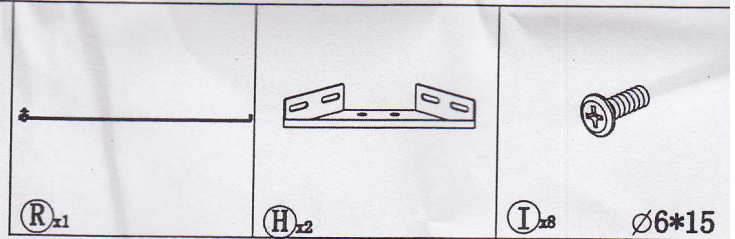
12 ▶



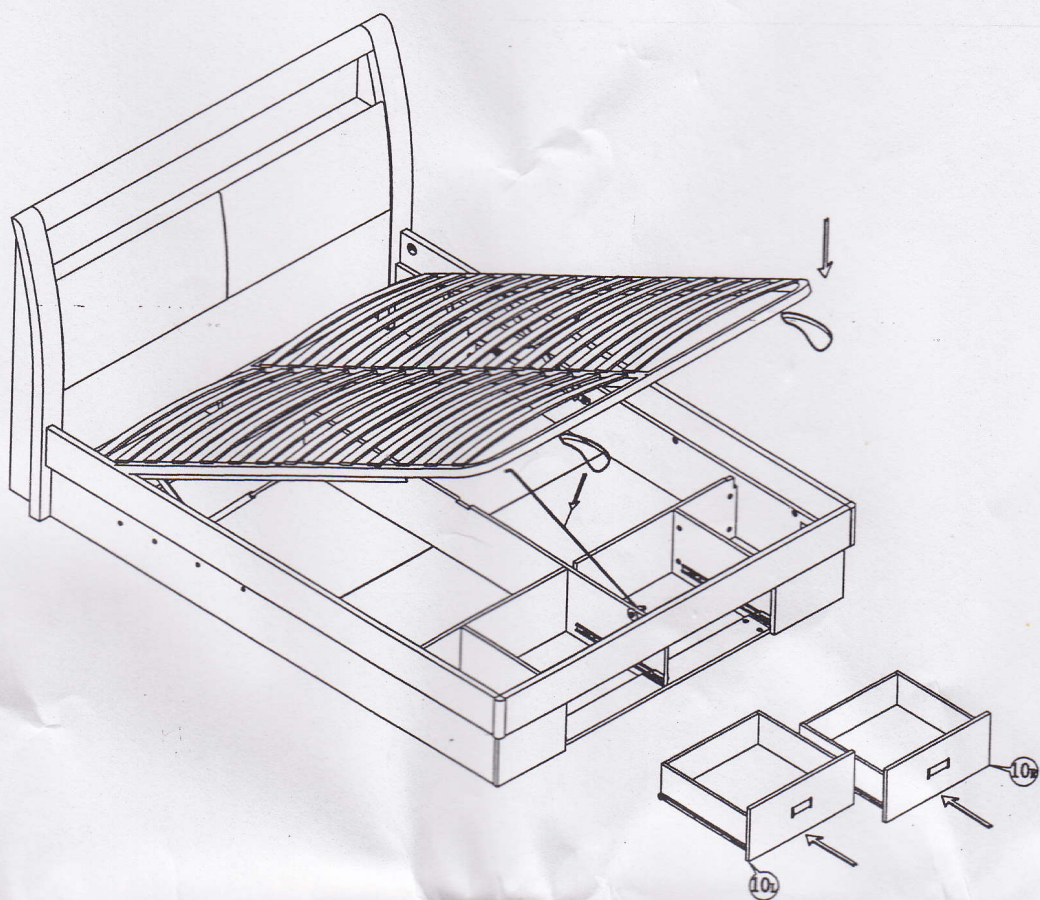
13▷



14▷



15 ▶



16 ▶

OK

