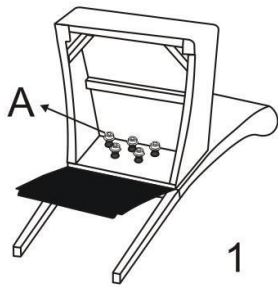
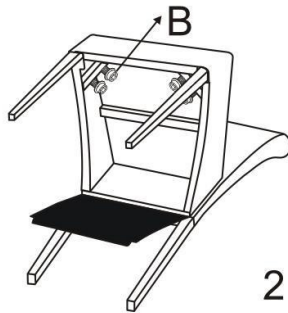


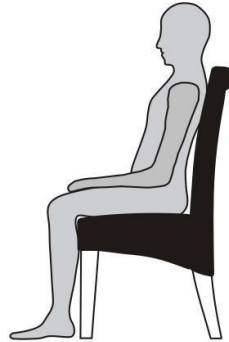
ASSEMBLING INSTRUCTION



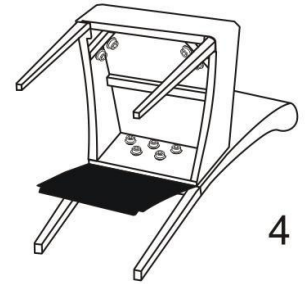
1
Put the screws in the holes, tight the screws, but not too tight, 90% is ok.



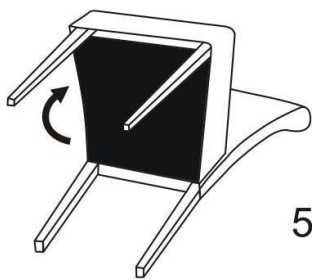
2
Put the screws in the holes, tight the screws, but not too tight, 90% is ok.



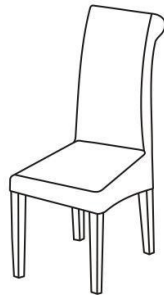
3
Then adjust the balance of the chair.



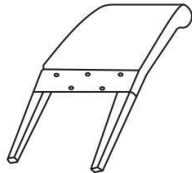
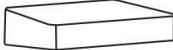



4
Tight all the screws to 100%



5
Stick the black part on the seat



6

		
Back 1PC	Seat 1PC	Leg 2PCS
A 	B 	
Size: M8X50mm 5PCS	Size: M8X65mm 4PCS	